

CBS-2100XTS Technical Data Dimensions, Utility Connections & Rough-in Drawings

North America CBS 2131XTS—Single 3 liters airpot version Electrical Configurations									
Configuration Codes		Heater Configuration	Voltage	Phase	Wires	Electrical Connection	KW	Maximum Amp Draw	Brew-Volume/Hour (3 liters per batch)
Plastic Brewbasket	Stainless Steel Brewbasket								
E213193	E213193M	1 X 1.5 kW	100 - 120	1	2+G	NEMA 5-15P	1.6	13.0	3.9 gal/14.8 liters
E213194	E213194M	1 X 1.7 kW	100 - 120	1	2+G	NEMA 5-15P	1.8	14.7	4.4 gal/16.7 liters
E213195	E213195M	1 X 2.3 kW	100 - 120	1	2+G	NEMA 5-20P	2.4	19.7	5.8 gal/22 liters

International CBS 2131XTS—Single 3 liters airpot version Electrical Configurations									
Configuration Codes		Heater Configuration	Voltage	Phase	Wires	Electrical Connection	KW	Maximum Amp Draw	Brew-Volume/Hour (3 liters per batch)
Plastic Brewbasket	Stainless Steel Brewbasket								
E213190	E213190M	1 X 2.3 kW	200-240	1	2+G	Hardwired	2.4	10.0	5.8 gal/22 liters
E213191	E213191M	1 X 3.0 kW	200-240	1	2+G	Hardwired	3.1	13.0	7.7 gal/29.1 liters

Japan CBS 2131XTS—Single 3 liters airpot version Electrical Configurations									
Configuration Codes		Heater Configuration	Voltage	Phase	Wires	Electrical Connection	KW	Maximum Amp Draw	Brew-Volume/Hour (3 liters per batch)
Plastic Brewbasket	Stainless Steel Brewbasket								
E213180	E213180M	1 x 2.3 kW	100	1	2+G	Hardwired	1.7	16.7	3.1 gal/14.0 liters
E213181	E213181M	1 X 2.3 kW	200	1	2+G	Hardwired	1.7	8.3	5.0 gal/21 liters
E215182	E215182M	2 X 3.0 kW	200-240	1	2+G	Hardwired	4.3	21.3	14.3 gal/54 liters

CE CBS 2131XTS—Single 3 liters airpot version Electrical Configurations									
Configuration Codes		Heater Configuration	Voltage	Phase	Wires	Electrical Connection	KW	Maximum Amp Draw	Brew-Volume/Hour (3 liters per batch)
Plastic Brewbasket	Stainless Steel Brewbasket								
E213169	E213169M	1 x 2.3 kW	230	1	L,N,PE	Hardwired	2.2	9.6	5.8 gal/22 liters
E213167	E213167M	1 x 3.0 kW	230	1	L,N,PE	Hardwired	2.8	12.4	7.7 gal/29.1 liters

Has CE and NSF-4 certification. Internal EMI filter. Not cUL or UL listed

North America & International CBS 2132XTS—Twin 3 liters airpot version Electrical Configurations									
Configuration Codes		Heater Configuration	Voltage	Phase	Wires	Electrical Connection	KW	Maximum Amp Draw	Brew-Volume/Hour (3 liters per batch)
Plastic Brewbasket	Stainless Steel Brewbasket								
E213290	E213290M	2 x 2.3 kW	200-240	1	2+G	Hardwired	3.3-4.7	16.5-19.7	11.5 gal/43.5 liters
E213291	E213291M	2 X 3.0 kW	200-240	1	2+G	Hardwired	4.2-6.1	21.3-25.5	14.3 gal/54 liters

Japan CBS 2132XTS—Twin 3 liters airpot version Electrical Configurations									
Configuration Codes		Heater Configuration	Voltage	Phase	Wires	Electrical Connection	KW	Maximum Amp Draw	Brew-Volume/Hour (3 liters per batch)
Plastic Brewbasket	Stainless Steel Brewbasket								
E213280	E213280M	2 x 2.3 kW	200	1	2+G	Hardwired	3.3	16.3	11.0 gal/42.0 liters
E213281	E213281M	2 X 3.0 kW	200-240	1	2+G	Hardwired	4.2	21.3	14.9 gal/56 liters

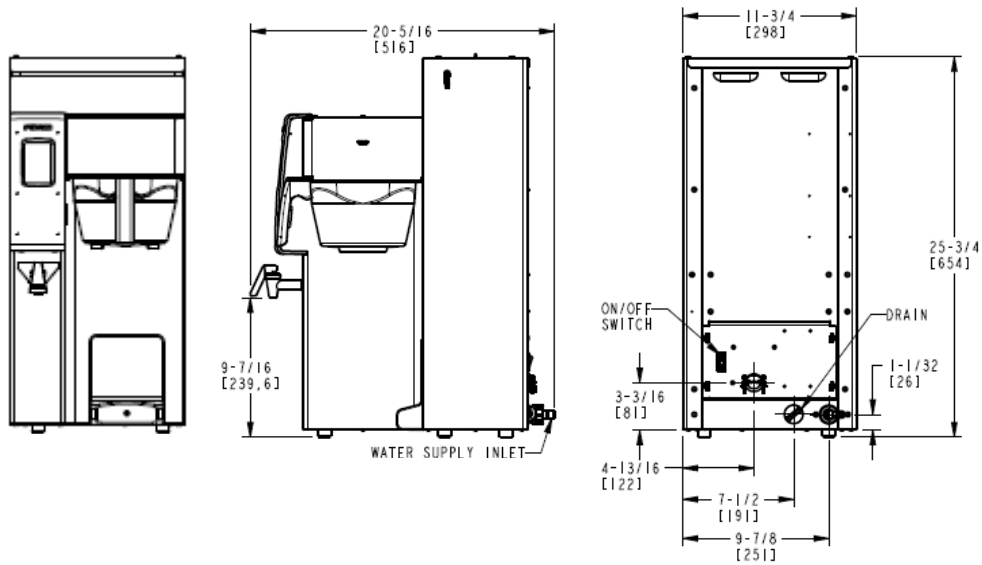
CE CBS 2132XTS—Twin 3 liters airpot version Electrical Configurations									
Configuration Codes		Heater Configuration	Voltage	Phase	Wires	Electrical Connection	KW	Maximum Amp Draw	Brew-Volume/Hour (3 liters per batch)
Plastic Brewbasket	Stainless Steel Brewbasket								
E213265	E213265M	2 x 2.3 kW	230/400	2	2L,N,PE	Hardwired	4.3	9.6	11.0 gal/42.0 liters
E213262	E213262M	2 X 3.0 kW	230/400	2	2L,N,PE	Hardwired	5.6	12.4	14.9 gal/56 liters
E213266	E213266M	2 X 3.0 kW	230	1	L,N,PE	Hardwired	5.6	24.4	14.3 gal/54 liters
E213268	E213268M	2 x 2.3 kW	230	1	L,N,PE	Hardwired	4.3	18.8	5.8 gal/22 liters

Has CE and NSF-4 certification. Internal EMI filter. Not cUL or UL listed

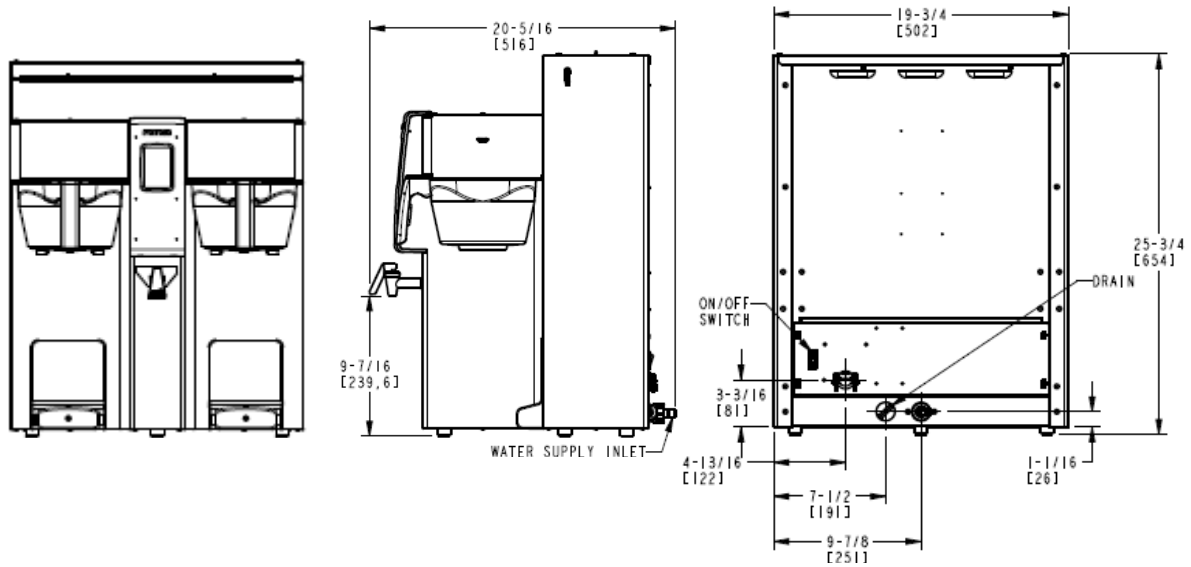
Technical Data—CBS-2130XTS 3 liter single and dual brewers

Brewer	Height	Width	Depth	Empty Weight	Filled Weight	Total Weight- Brewer & Full Dispenser	Hot Water Tank Capacity	Shipping Weight	Shipping Dimensions
CBS-2131XTS Single-3 liter	25 3/4" 655mm	11 3/4" 303mm	20 3/8" 516mm	29 lb 13.2kg	55 lb 25 kg	66.2lb 34.6 kg	3.3 gal 12.4 l	49 lb 19 kg	17" x 23" x 29" 432 x 584 x 737mm
CBS-2132XTS Dual-3 liter	25 3/4" 655mm	19 3/4" 502mm	20 3/8" 518mm	47lb 21.3kg	92lb 41.7kg	114.4lb 51.9 kg	5.8 gal 22.1 l	61lb 28kg	23" x 25" x 29" 584 x 635 x 737mm

**CBS-2130XTS—3 liter airpot
Dimensions & Utility Connections Rough-in Drawings**



Rough-in CBS-2131XTS—Single station 3 liter airpot version Drawing#1201.00011.00



Rough-in CBS-2132XTS—Dual station 3 liter airpot version Drawing#1201.00012.00