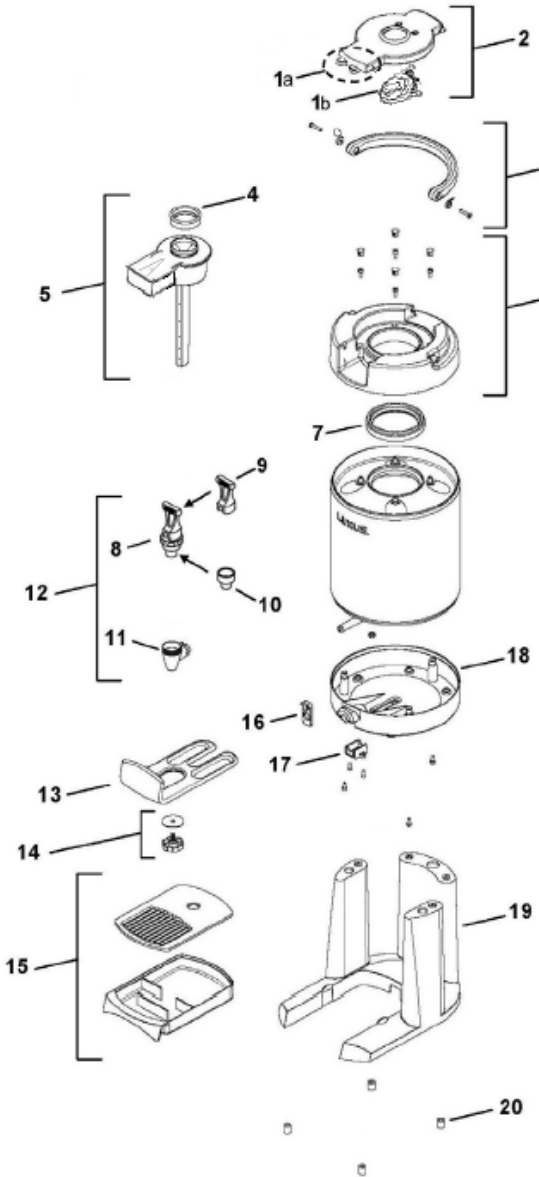


Replacement Parts: LUXUS® L3D & L3S Thermal Dispensers



#	Description	Dispenser Model Number		
		L3D10 & L3S10	L3D15 & L3S15	L3D20 & L3S20
1a	LOCK (inside cover)	1023.00036.00	1023.00030.00	1023.00030.00
1b	PLUG ASSY.	1023.00119.00	1023.00125.00	1023.00125.00
2	COVER ASSY.	1102.00125.00	1102.00144.00	1102.00144.00
3	HANDLE ASSY.	1000.00006.00	1000.00007.00	1000.00007.00
4	FUNNEL GASKET	1029.00014.00	1029.00016.00	1029.00016.00
5	FUNNEL ASSY.	1102.00143.00	1102.00150.00	1102.00176.00
6	TOP ASSY.	1000.00008.00	1000.00009.00	1000.00009.00
7	NECK GASKET	1024.00070.00	1024.00070.00	1024.00070.00
8	Faucet upper assembly (standard-black handle)	1071.00020.00	1071.00020.00	1071.00020.00
8	Faucet upper assembly orange handle- "DECAFF"	1071.00030.00	1071.00030.00	1071.00030.00
8	Faucet upper assembly green handle	1071.00031.00	1071.00031.00	1071.00031.00
8	Faucet upper assembly blue handle	1071.00032.00	1071.00032.00	1071.00032.00
9	Faucet handle, Black	1071.00022.00	1071.00022.00	1071.00022.00
9	Faucet handle, Red Embossed: "hot water"	1071.00040.00	1071.00040.00	1071.00040.00
10	FAUCET SEAT CUP	1071.00013.00	1071.00013.00	1071.00013.00
11	FAUCET BODY ASSY.	1000.00012.00	1000.00012.00	1000.00012.00
12	Faucet assy. complete	1102.00055.00	1102.00055.00	1102.00055.00
13	FAUCET GUARD	1023.00076.00	1023.00055.00	1023.00055.00
14	Knob & Washer (For Faucet Guard)	1000.00010.00	1000.00010.00	1000.00010.00
15	DRIP TRAY ASSY.	1000.00013.00	1000.00014.00	1000.00014.00
16	FAUCET LOCK	1023.00069.00	1023.00069.00	1023.00069.00
17	INSERT, BOTTOM	1023.00083.00	1023.00067.00	1023.00067.00
18	BOTTOM	1023.00084.00	1023.00068.00	1023.00068.00
19	STAND ASSY.	1000.00015.00	1000.00016.00	1000.00016.00
20	ANTI-SLIP FOOT	1024.00069.00	1024.00069.00	1024.00069.00

Parts orders should be emailed to:
orders@fetco.com
or
fax to: (847)-719-3001

Check prices at www.fetco.com