

FETCO® TBS-2121

Iced Tea Brewing System

With Sweetener Delivery

Complete Commercial Parts Listing

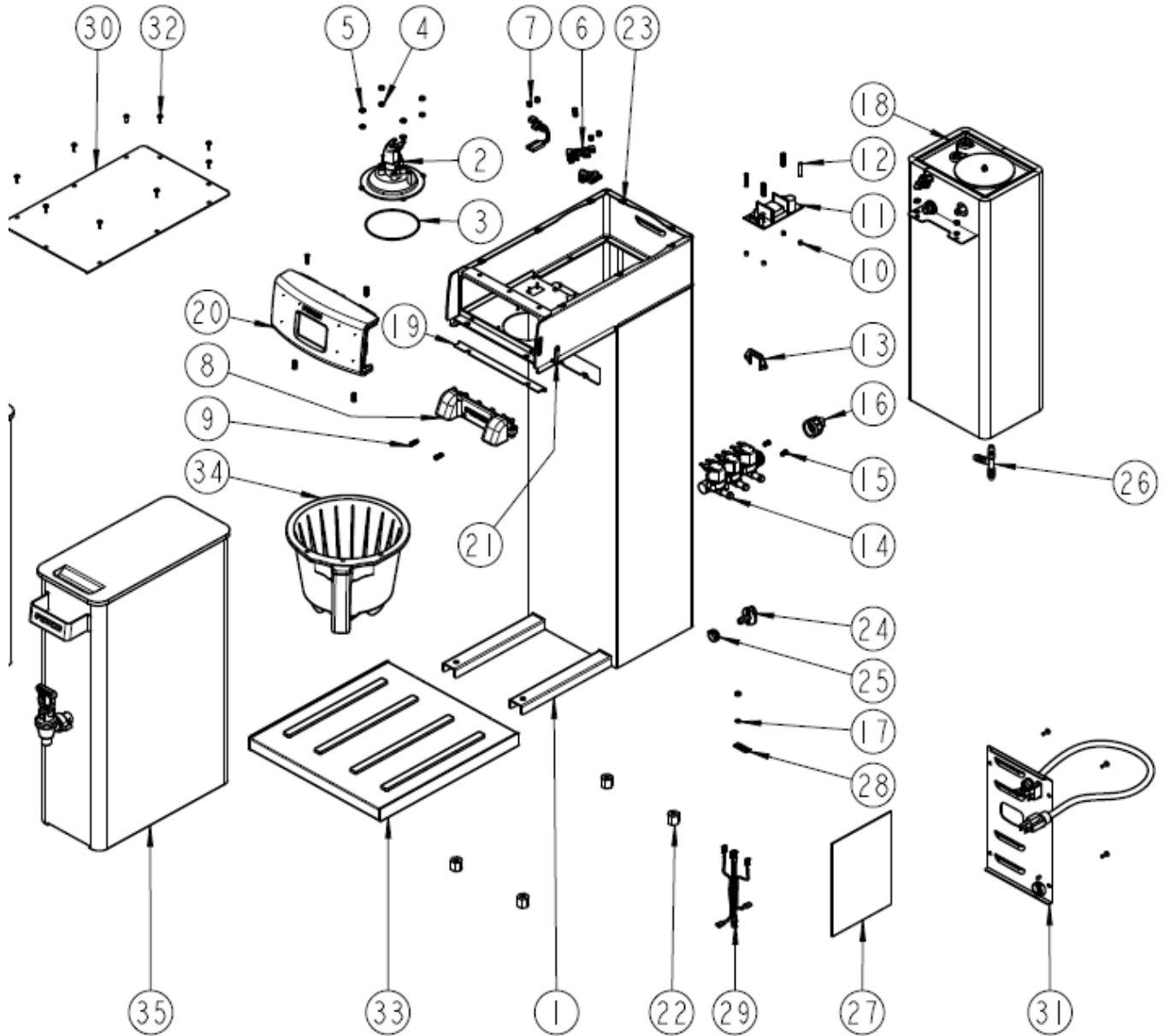
For FETCO® TBS-2121 and FETCO® TBS-2121-s Model Range

NEW June 2013

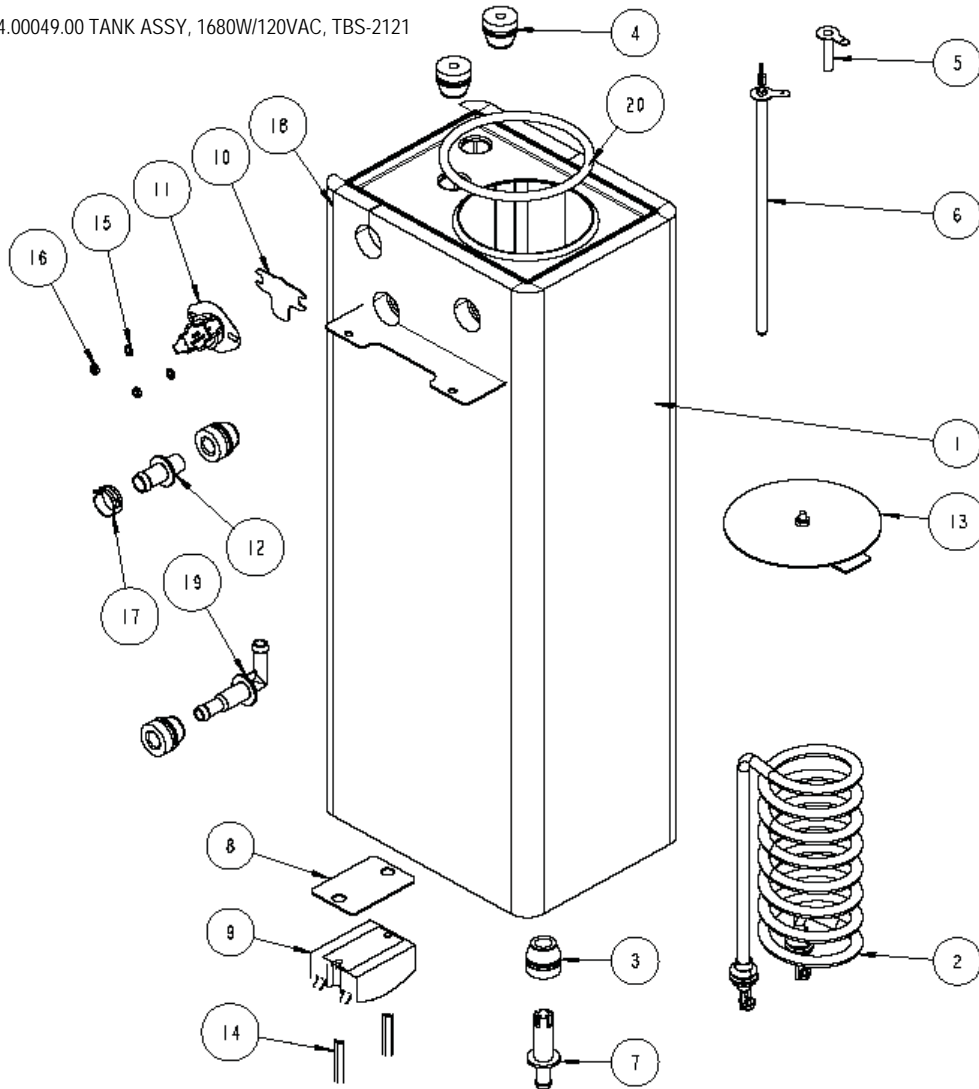
Please see our website-www.fetco.com for the most up to date listings and additional parts and service information

Parts diagrams, bill of materials lists

Drawing 1101.00142.00 TBS-2121 Assembly-No Sweetener



Drawing 1101.00142.00 TBS-2121 ASSEMBLY, NO SWEETENER, 1680 kW/120VAC			
Ref#	Qty	Part number	Description
1	1	1111.00033.00	WELDMENT, BODY TBS-2121
2	1	1102.00203.00	ASSEMBLY, SPRAY HOUSING, TBS-2121
3	1	1024.00017.00	O'RING, 3.739" ID X 0.070" CS, 70 DURO, BUNA
4	4	1083.00010.00	WASHER, #10 SCREW W/NEOPRENE-BONDED SEAL
5	7	1084.00006.00	NUT, 8-32 18-8 HEX MACHINE SCREW
6	3	1102.00113.00	SWITCH, REED, ASSEMBLY
7	6	1029.00006.00	#4-40 NYLON FINGER NUT
8	1	1102.00196.00	Faucet Dilution Assembly, TBS-2121
9	6	1082.00058.00	SCREW, # 8-32 X 5/8, FLAT HD, PH, 18-8 SS
10	4	1081.00006.00	SPACER, 6MM OD x 3.2MM ID x 5MM LG, Z/P
11	1	1052.00001.00	POWER SUPPLY, 90-264VAC/24VDC, 1.8A
12	4	1029.00012.00	SPACER, .25" HEX X 1" LG, FEM #4-40 THREAD
13	1	1074.00004.00	BRACKET FOR RPE VAVLE #1057.00048.00
14	1	1057.00048.00	VALVE, TRIPLE, RPE
15	2	1082.00010.00	SCREW, M4x10 ZINC PLATED PAN PHILLIPS MACHINE
16	1	1102.00243.00	ADAPTER ASSY, 3/4" BSP X 3/8 SAE FLARE
17	3	1083.00011.00	WASHER, #8 SCREW SIZE, INTERNAL TOOTH LOCK
18	1	1104.00049.00	TANK ASSEMBLY, 1680W/120VAC, TBS-2121
19	1	1024.00059.00	GASKET_FRONT_4A
20	1	1102.00201.00	ASSEMBLY, FRONT PANEL, TBS-2121
21	1	1024.00040.00	CARD PLUG, HWD-2100
22	4	1021.00018.00	LEG, TBS 2121
23	2	1084.00024.00	NUT, CLIP ON (J-NUT), #6-32, 18 -16 GA., BLACK-
24	1	1023.00147.00	PLUG, TANK SERVICE DRAIN FOR 18GA AND UP BODY
25	1	1086.00003.00	UNICLAMP, 15.9 HOSE OD CLAMP
26	1	1029.00002.00	FITTING, HOSE BARB TEE, SIZE 3/8" , NYLON
27	1	1401.00047.00	WIRING, TBS-2121, L1, N+GND, 1 HEATER
28	1	1044.00003.00	LABEL, GROUND
29	1	1402.00036.00	ELECTRICAL HARNESS, TBS-2121
30	1	1001.00103.00	TOP COVER, TBS-2121
31	1	1102.00199.00	ASSEMBLY, BACK COVER TBS-2121
32	13	1082.00017.00	SCREW, # 6-32 X 1/2" TRUSS HD PHIL., MACHINE
33	1	1102.00197.00	ASSEMBLY, BASE DISPENSER, TBS-2121
34	1	B013000B2	BREW BASKET ASSEMBLY, TBS-2121, BLUE HANDLE
35	2	1102.00193.00	ASSEMBLY, TEA DISPENSER 3.5 GAL
	1	1025.00071.00	TUBE, 9/16"OD X 5/16"ID X 16.75"LG
	1	1025.00070.00	TUBE, 9/16"OD X 5/16"ID X 8.25"LG
	2	1025.00068.00	TUBE, 9/16"OD X 5/16"ID X 21.75"LG
	2	1025.00067.00	TUBE, 9/16"OD X 5/16"ID X 1.25"LG
	1	1025.00061.00	TUBE, 9/16"OD X 5/16"ID X 2.75"LG
	1	1025.00051.00	TUBE, 5/8"OD X 3/8"ID X 6.44"LG
	1	1025.00006.00	TUBE, VENT SUPPORT, 5/16"OD X 3/16"X 0.5"LG
		1000.00090.00	KIT, LIQUID SWEETENER INFUSION PUMP, TBS-2121

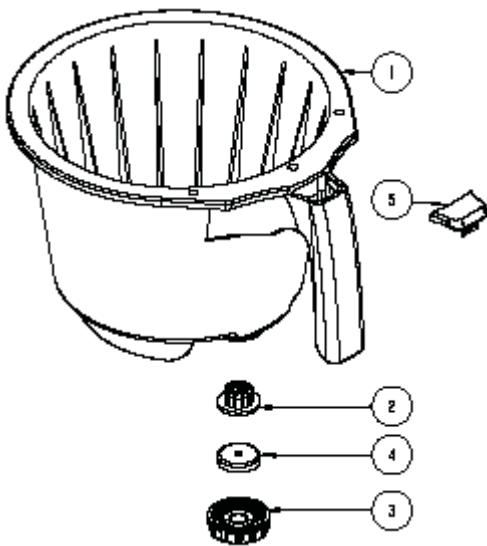


Drawing 1104.00049.00 TANK ASSY, 1680W/120VAC, TBS-2121			
Ref#	QTY	PART NO	DESCRIPTION
1	1	1114.00079.00	WELDMENT, TANK, TBS-2121
2	1	1107.00023.00	HEATER ASSY, IMMERSION, 1680W/120VAC
2	1	1107.00017.00	HEATER ASSY, IMMERSION, 2300W/240VAC
3	3	1024.00050.00	GROMMET, SILICONE, 11.4mm ID
4	2	1024.00062.00	GROMMET, SHORT, SILICONE, LEVEL AND TEMP PROBE
5	1	1112.00202.00	PROBE WELDMENT, WATER LEVEL 1.188" LONG
6	1	1102.00161.00	PROBE ASSEMBLY, TEMP. AND LLC, HWD-2100
7	1	1023.00166.00	FITTING, COLD WATER INLET, GROMMET DESIGN
8	1	1003.00140.00	ALUMINUM BRACKET FOR SSR
9	1	1052.00014.00	ASSEMBLY RELAY, SOLID STATE, 25A/230V
10	1	1003.00005.00	BRACKET, ONE SHOT THERMOSTAT
11	1	1053.00004.00	THERMOSTAT, SINGLE SHOT, 25A
12	1	1023.00167.00	FITTING, BREW, GROMMET DESIGN
13	1	1102.00007.00	TANK COVER ASSEMBLY
14	2	1081.00042.00	STANDOFF, 6-32 x1.25 LG., 1/4 HEX WIDTH
15	2	1083.00009.00	WASHER, #6 SCREW , INTL TOOTH LOCKWASHER
16	2	1084.00010.00	NUT, HEX, #6-32, UNDERSIZED, ZINC PLATED
17	1	1086.00003.00	UNICLAMP, 15.9 HOSE OD CLAMP
18	1	1022.00060.00	TANK INSULATION, TBS-2121
19	1	1023.00188.00	FITTING, VENT, TBS-2121
20	1	1 1024.00007.00	RING, DASH #344, TANK COVER

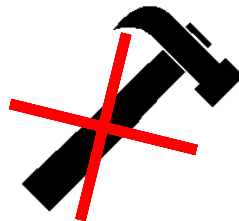
1102.00203.00 Spray Housing Assembly, TBS-2121

Ref.	QTY	PART NO	DESCRIPTION
1	1	1102.00020.00	SPRAY HOUSING ASSY CSD DESIGN
2	1	1024.00002.00	ORING, AS568A-019, BUNA-N
3	1	1102.00019.00	ASSEMBLY, CASCADE SPRAY DOME
4	1	1023.00189.00	ADAPTER, SPRAY HSG, DSV11 VALVE
5	2	1082.00068.00	SCREW, M3.9x13, CHEESE PH., T/FORM, Z/P
6	1	1057.00038.00	DIAPHRAGM, VALVE DSV-11
7	1	1057.00050.00	SPACER PLATE DSV11, -1 OPTION
8	1	1057.00040.00	PLUNGER, DISPENSE VALVE 24VDC
9	1	1057.00051.00	SPRING, DISPENSE VALVE 24VDC
10	1	1057.00022.00	DSV11 COIL AND FRAME ASSEMBLY, 24VDC
11	4	1082.00076.00	SCREW, #6-20 X 1/2", THRD FORM, P/H PHIL

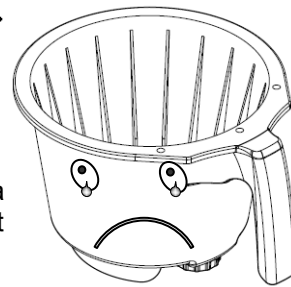
B013000BE2 TBS-2121 Iced Tea Brew Basket Assembly, 16"X6"(Three position)



Ref	Qty	Part #	DESCRIPTION
1	1	1023.00182.00	BREW BASKET, TBS-2121
2	1	1024.00060.00	SILICONE STRAINER
3	1	1023.00179.00	NUT, BREW BASKET ORIFICE HOLDER
4*	1	1023.00185.00	ORIFICE, SET OF 7, BREW BASKET TBS-2121*
5	1	1023.00180.00	BLUE, BREW BASKET HANDLE PLUG TBS-2121
5	1	1023.00190.00	RED, BREW BASKET HANDLE PLUG TBS-2121
5	1	1023.00191.00	GREEN, BREW BASKET HANDLE PLUG TBS-2121
5	1	1023.00192.00	ORANGE BREWBASKET HANDLE PLUG TBS-2121
		B013000BE2	COMPLETE TBS-2121 BREW BASKET—Blue Insert



Never strike or hit a brewbasket against any hard surface



* #4 orifice set Size	Drain time for 1 gallon hot water	
0.094	12:30	DEFAULT: Factory installed to brewbasket
0.062	24:30	On optional orifice selector (included)
0.078	17:30	On optional orifice selector (included)
0.086	15:30	On optional orifice selector (included)
0.104	10:30	On optional orifice selector (included)
0.125	8:10	On optional orifice selector (included)
0.28	1:20	On optional orifice selector (included)

Wiring diagrams

