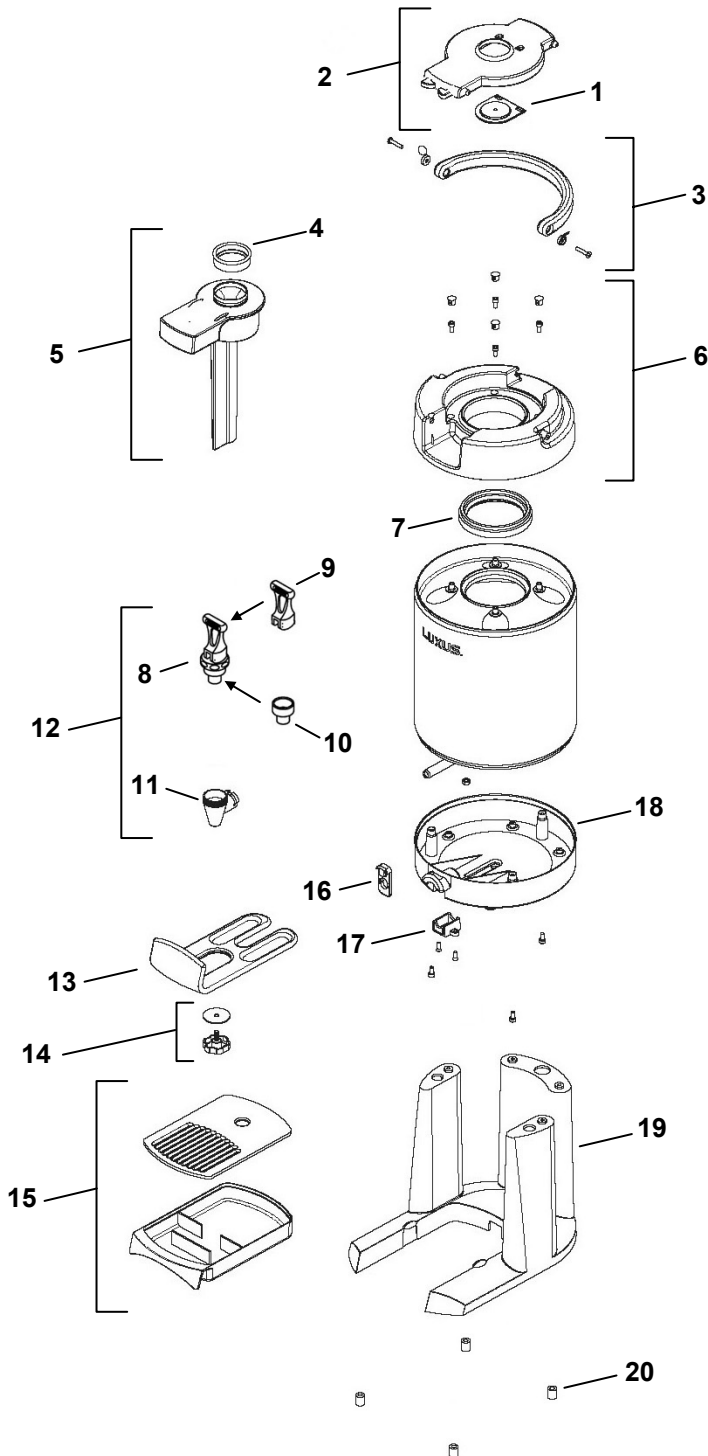




L3D / L3S Series Dispensers Replacement Parts



ITEM	Description	Dispenser Model Number		
		L3D-10 & L3S-10	L3D-15 & L3S-15	L3D-20 & L3S-20
1a	LOCK (inside cover)	1023.00036.00	1023.00030.00	1023.00030.00
1b	PLUG ASSY.	1023.00035.00	1023.00029.00	1023.00029.00
2	COVER ASSY.	1102.00125.00	1102.00144.00	1102.00144.00
3	HANDLE ASSY.	1000.00006.00	1000.00007.00	1000.00007.00
4	FUNNEL GASKET	1024.00037.00	1024.00036.00	1024.00036.00
5	FUNNEL ASSY.	1102.00143.00	1102.00150.00	1102.00176.00
6	TOP ASSY.	1000.00008.00	1000.00009.00	1000.00009.00
7	NECK GASKET	1024.00035.00	1024.00035.00	1024.00035.00
8	FAUCET UPPER ASSY. (BLACK HANDLE)	1071.00020.00	1071.00020.00	1071.00020.00
9	FAUCET HANDLE, BLACK	1071.00022.00	1071.00022.00	1071.00022.00
9	FAUCET HANDLE, ORANGE	1071.00030.00	1071.00030.00	1071.00030.00
9	FAUCET HANDLE, GREEN	1071.00021.00	1071.00021.00	1071.00021.00
9	FAUCET HANDLE, RED	71080	71080	71080
10	FAUCET SEAT CUP	1071.00013.00	1071.00013.00	1071.00013.00
11	FAUCET BODY ASSY.	1000.00012.00	1000.00012.00	1000.00012.00
12	FAUCET ASSY. COMPLETE	1102.00055.00	1102.00055.00	1102.00055.00
13	FAUCET GUARD	1023.00076.00	1023.00055.00	1023.00055.00
14	FAUCET GUARD KNOB & WASHER	1000.00010.00	1000.00010.00	1000.00010.00
15	DRIP TRAY ASSY.	1000.00013.00	1000.00014.00	1000.00014.00
16	FAUCET LOCK	1023.00069.00	1023.00069.00	1023.00069.00
17	INSERT, BOTTOM	1023.00083.00	1023.00067.00	1023.00067.00
18	BOTTOM	1023.00084.00	1023.00068.00	1023.00068.00
19	STAND ASSY.	1000.00015.00	1000.00016.00	1000.00016.00
20	Anti-slip Foot	1025.00016.00	1025.00015.00	1025.00015.00

**Parts orders should be faxed to
Customer Service at 847-719-3001 or
emailed to parts@fetco.com.**

Check prices at www.fetco.com.

July-11

FETCO®

FOOD EQUIPMENT TECHNOLOGIES COMPANY

Phone: (800) 338-2699 (847) 719-3000 Fax: (847) 719-3001

e-mail: techsupport@fetco.com

www.fetco.com