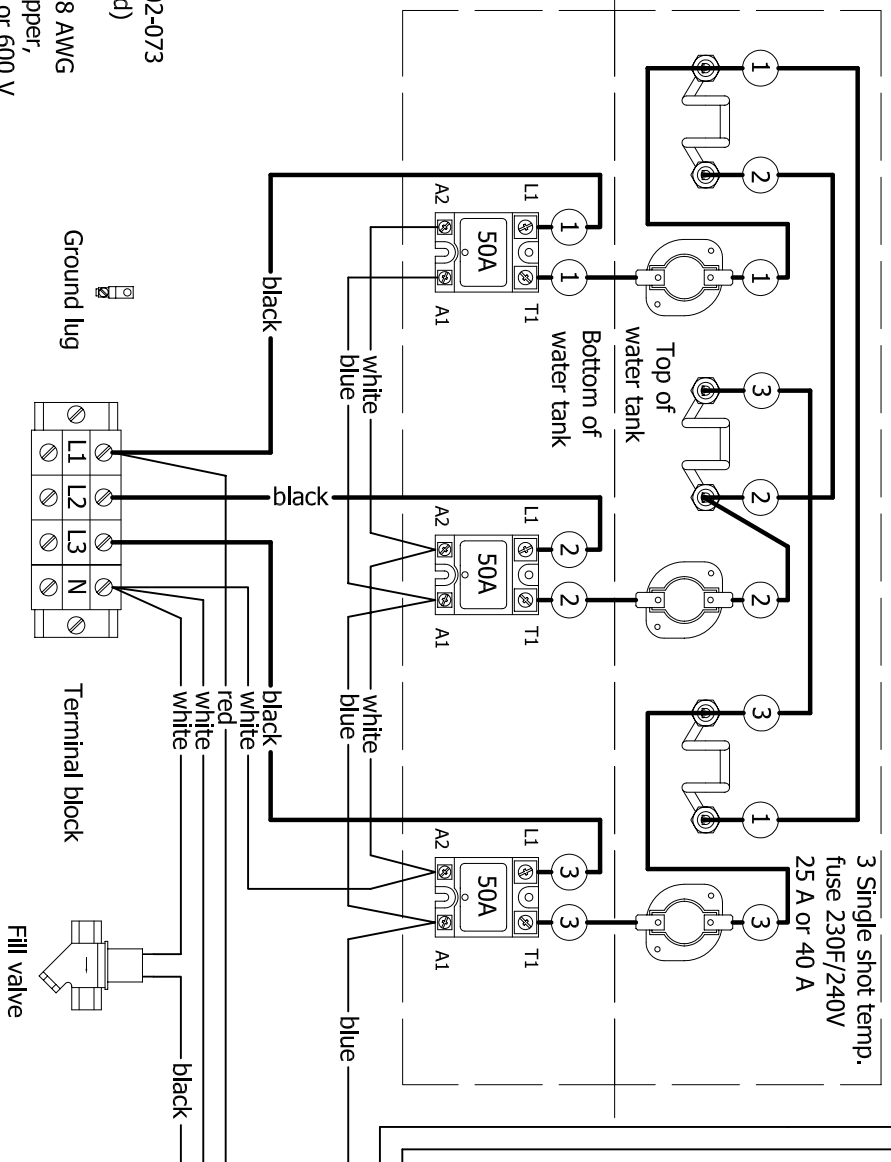


Lower control



Notes:

- 1- Use harness PN. 402-083 & 402-073
- 2- All heater wires (shown as bold)
- 3- All control circuit wires to be 18 AWG
- 4- All wires stranded, (tinned) copper, PVC insulated, 105 Deg, 300 V or 600 V
- 5- Terminal U.L. listed
- 6- * Analog temperature probe only !
- 7- ** Digital temperature probe only !

FETCO PRODUCT NO. **CBS - 52 H**

WIRING DIAGRAM **CBS-52H SSR, 3 HEATERS**

FETCO
 FETCO EQUIPMENT TECHNOLOGY COMPANY
 600 PERRY RD.
 LAKE ZURICH, IL 60047
 PHONE: 847-719-3000, FAX: 847-719-3001
 WWW.FETCO.COM

WIRING DIAGRAM NO. **401297-004**