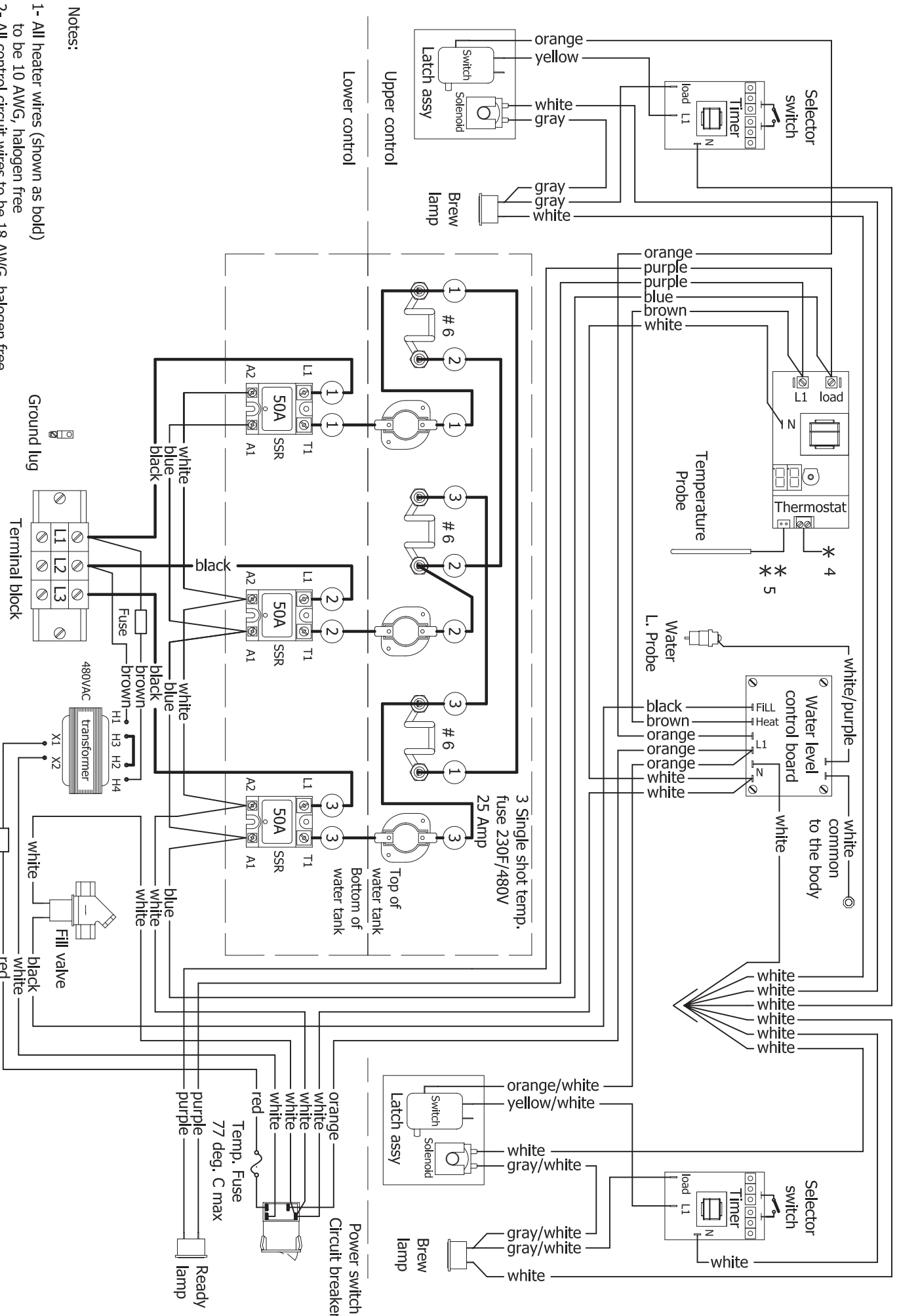


- Notes:
- 1- All heater wires (shown as bold) to be 10 AWG, halogen free
  - 2- All control circuit wires to be 18 AWG, halogen free
  - 3- All wires stranded, (tinned) copper, PVC insulated, 105 Deg, 600 V
  - 4- \* Analog temperature probe only !
  - 5- \*\* Digital temperature probe only !
  - 6- # Water heaters 480 VAC only !



Notes:

- 1- All heater wires (shown as bold) to be 10 AWG, halogen free
- 2- All control circuit wires to be 18 AWG, halogen free
- 3- All wires stranded, (tinned) copper, PVC insulated, 105 Deg, 600 V
- 4- \* Analog temperature probe only !
- 5- \*\* Digital temperature probe only !
- 6- # Water heaters 480 VAC only !

FETCO PRODUCT NO. <b>CBS 52H IP44</b>		FETCO EQUIPMENT TECHNOLOGY COMPANY 600 ROSE RD. LAKE ZURICH, IL 60047 PHONE: 847-719-3000 FAX: 847-719-3001 WWW.FETCO.COM
WIRING DIAGRAM CBS-52H, IP44, SSR, L1,L2,L3+GRND, STEP DOWN TRANSFORMER 480/120VAC, 3 HEATERS		WIRING DIAGRAM NO. <b>401351-004</b>