

North America CBS_2152XTS—Twin 1½ gallon version Electrical Configurations									
Configuration Codes		Heater Configuration	Voltage	Phase	Wires	Electrical Connection	KW	Maximum Amp Draw	Brew-Volume/Hour (1½ gallon per batch)
Plastic Brewbasket	Stainless Steel Brewbasket								
E215292	E215292M	2 X 3.0 kW	208-240	1	2+G	Hardwired	4.6-6.1	22.4-25.8	15.3 gal/58 liters
E215293	E215293M	3 X 3.0 kW	208-240	3	4+G	Hardwired	6.9-9.1	19.5-22.5	22.5 gal/85 liters
E215294	E215294M	2 X 5.0 kW	208-240	1	2+G	Hardwired	7.6-10.1	36.9-42.5	25.3 gal/97 liters
E215295	E215295M	3 X 5.0 kW	208-240	3	4+G	Hardwired	11.4-15.1	32.0-36.9	38.3 gal/145 liters

Has UL & cUL and NSF-4 certification. Not certified CE

International CBS_2152XTS—Twin 1½ gallon version Electrical Configurations									
Configuration Codes		Heater Configuration	Voltage	Phase	Wires	Electrical Connection	KW	Maximum Amp Draw	Brew-Volume/Hour (1½ gallon per batch)
Plastic Brewbasket	Stainless Steel Brewbasket								
E215290	E215290M	3 X 3.0 kW	220/380 or 240/415	3	4+G	Hardwired	9.1	11.8-12.9	22.5 gal/85 liters
E215291	E215291M	3 X 5.0 kW	220/380 or 240/415	3	4+G	Hardwired	15.1	19.5-21.4	38.3 gal/145 liters

Has UL & cUL and NSF-4 certification. Not certified CE

Japan CBS_2152XTS—Twin 1½ gallon version Electrical Configurations									
EXPORT Electrical Configurations CBS_2151XTS—Single 1½ gallon version									
Configuration Codes		Heater Configuration	Voltage	Phase	Wires	Electrical Connection	KW	Maximum Amp Draw	Brew-Volume/Hour (1½ gallon per batch)
Plastic Brewbasket	Stainless Steel Brewbasket								
E215280	E215280M	3 X 3.0 kW	200	3	3+G	Hardwired	6.5	18.6	17 gal/64 liters

CE CBS_2152XTS—Twin 1½ gallon version Electrical Configurations									
Configuration Codes		Heater Configuration	Voltage	Phase	Wires	Electrical Connection	KW	Maximum Amp Draw	Brew-Volume/Hour (1½ gallon per batch)
Plastic Brewbasket	Stainless Steel Brewbasket								
(CE) E215261	(CE) E215261M	3 X 3.0 kW	230/400	3	3L,N,PE	Hardwired	8.6	12.4	22.5 gal/85 liters
(CE) E215262	(CE) E215262	3 X 5.0 kW	230/400	3	3L,N,PE	Hardwired	14.1	20.4	38.3 gal/145 liters

Has CE and NSF-4 certification. Internal EMI filter. Not cUL and UL listed

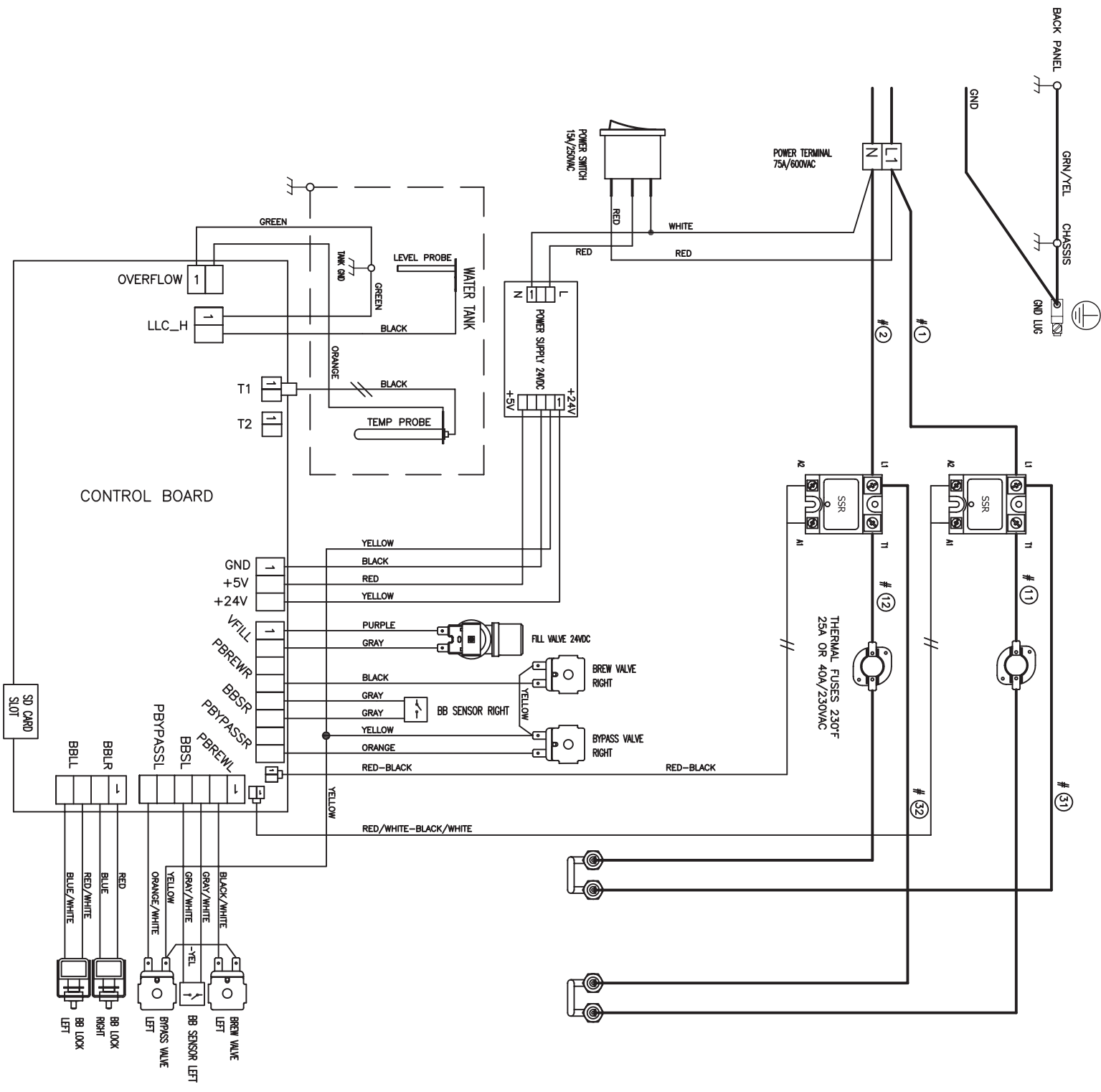
North America & International Versions and Japan CBS_2152-2G-XTS—Twin 2 gallon version Electrical Configurations									
Configuration Codes		Heater Configuration	Voltage	Phase	Wires	Electrical Connection	KW	Maximum Amp Draw	Brew-Volume/Hour (2 gallon per batch)
Plastic Brewbasket	Stainless Steel Brewbasket								
(CE) E215361	(CE) E215361M	3 X 3.0 kW	230/400	3	3L,N,PE	Hardwired	8.6	12.4	22.5 gal/85 liters
(CE) E215362	(CE) E215362M	3 X 5.0 kW	230/400	3	3L,N,PE	Hardwired	14.1	20.4	38.3 gal/145 liters

Has CE and NSF-4 certification. Internal EMI filter. Not cUL and UL listed

CBS-2152XTS SKU #	Wiring Diagram
E215261	1401.00080.00
E215262	1401.00080.00
E215280	1401.00101.00
E215290	1401.00102.00
E215291	1401.00112.00
E215292	1401.00110.00
E215293	1401.00112.00
E215294	1401.00110.00
E215295	1401.00112.00
E215361	1401.00080.00
E215362	1401.00080.00

REVISIONS

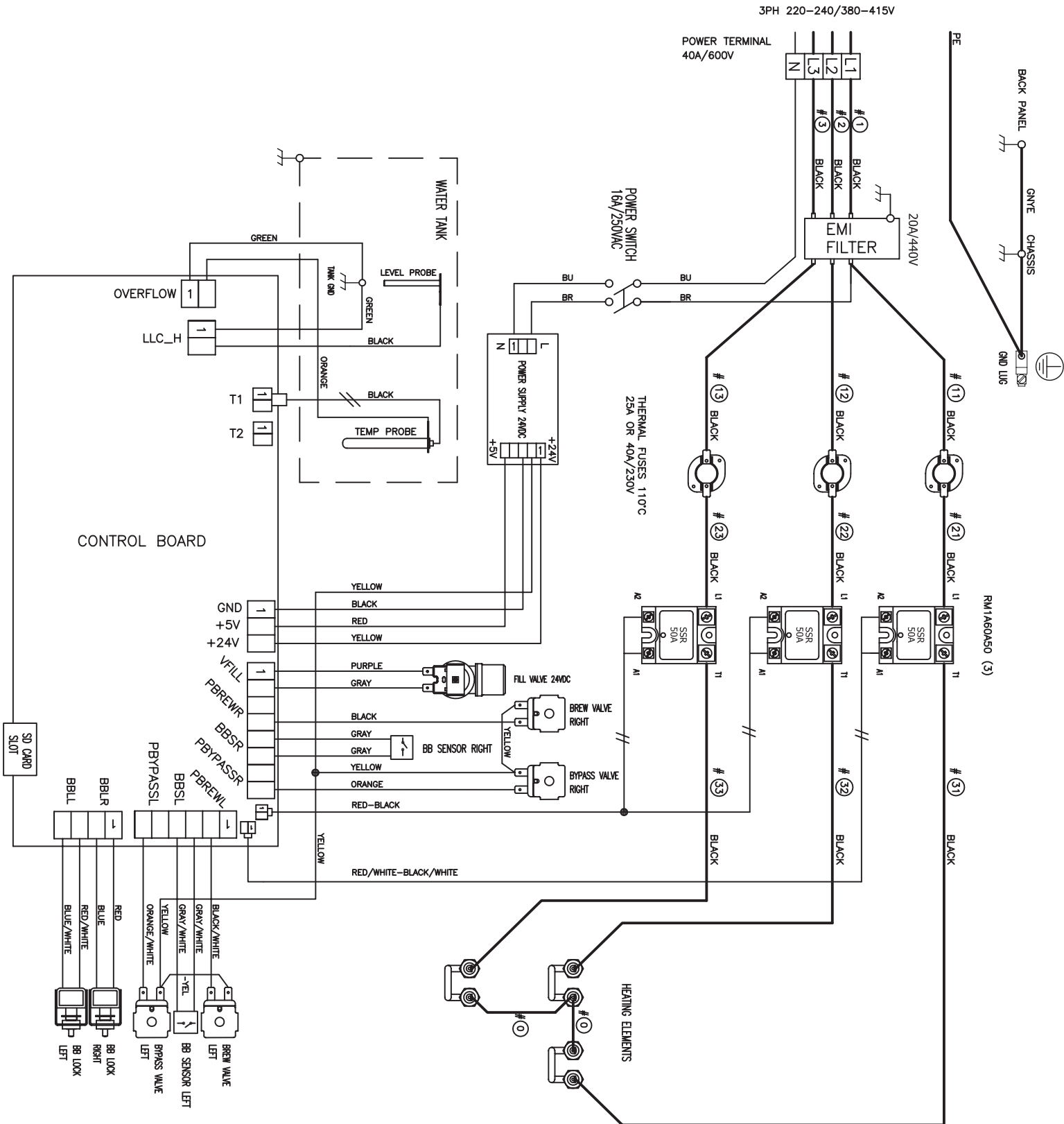
REV	DATE	ECO NO	DESCRIPTION	BY:	A
A	02/14/2014	N/A	ORIGINAL	AS	



TOLERANCES		REVISIONS			FETCO®		
EXCEPT AS NOTED		NO.	DATE	BY	FOOD EQUIPMENT TECHNOLOGY COMPANY 800 ROSE RD. LAKE ZURICH, IL 60047 PHONE: 847-719-3000, FAX: 847-719-3001 WWW.FETCO.COM		
DECIMAL		A	09-30-2014	AS	DWG. NAME: WIRING INTL, CBS-2152 XTS, L1, N+GND, 2 HEATERS		
FRACTIONAL		B			DRAWN BY	SCALE	MATERIAL
		C			AS	N/A	N/A
		D			CHK'D	SIZE	DRAWING NO.
		E			AG	A	1401.00110.00
					APP'D	DATE	
					SZ	09-30-2014	

REVISIONS

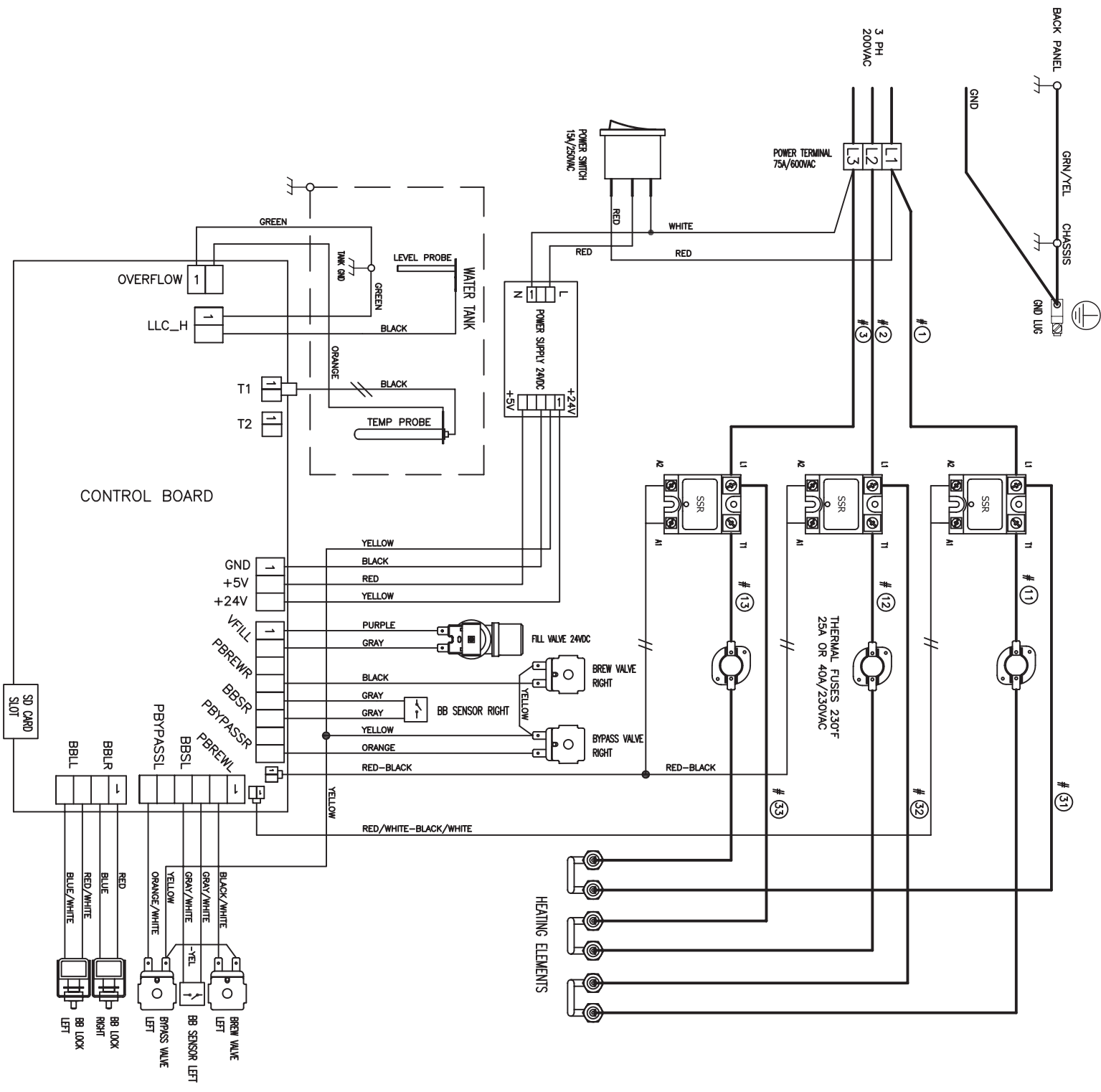
REV	DATE	ECO NO	DESCRIPTION	BY:	A
A	08/20/2014	N/A	ORIGINAL	AG	



TOLERANCES		REVISIONS			FETCO®				
EXCEPT AS NOTED		NO.	DATE	BY	FOOD EQUIPMENT TECHNOLOGY COMPANY 800 ROSE RD LAKE ZURICH, IL 60047 PHONE: 847-719-3000, FAX: 847-719-3001 WWW.FETCO.COM				
DECIMAL		A	08-20-14	AG	DWG. NAME: WIRING, CBS-2152-XTS, L1, L2, L3, N+GND, 3 HEATERS, EXPORT				
FRACTIONAL	+/- .005	B			DRAWN BY	AG	SCALE	N/A	
	+/- 1/64"	C			CHK'D	SZ	SIZE	A	
ANGULAR		D			APP'D	LW	DATE	08-20-2014	
	+/- 1/2 DEG	E			MATERIAL			N/A	
								DRAWING NO.	1401.00102.00

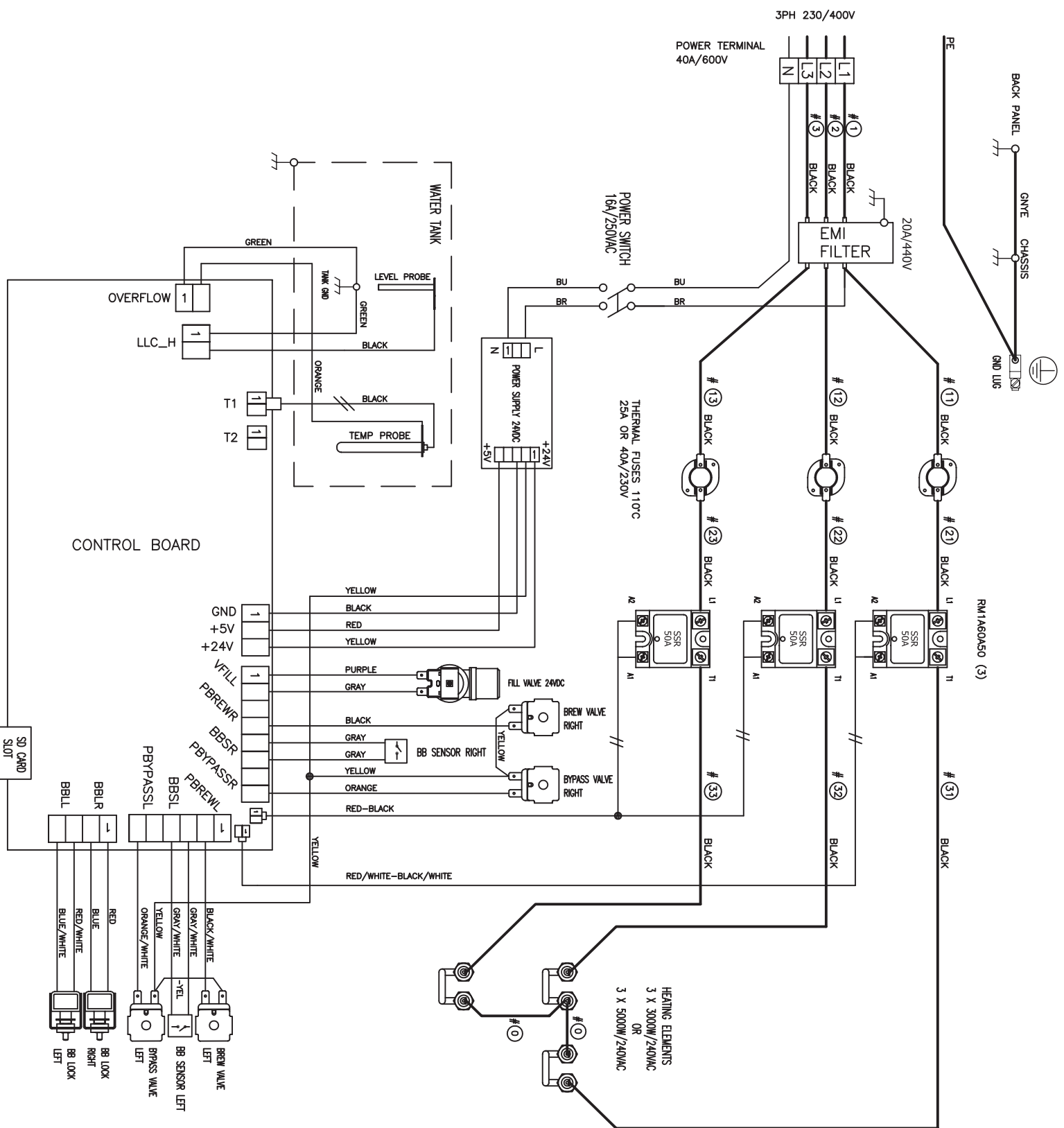
REVISIONS

REV	DATE	ECO NO	DESCRIPTION	BY:	A
A	08/19/2014	N/A	ORIGINAL	AG	



TOLERANCES		REVISIONS			FETCO®		
EXCEPT AS NOTED		NO.	DATE	BY	FOOD EQUIPMENT TECHNOLOGY COMPANY 800 ROSE RD. LAKE ZURICH, IL 60047 PHONE: 847-719-3000, FAX: 847-719-3001 WWW.FETCO.COM		
DECIMAL		A	08-19-14	AG	DWG. NAME: WIRING, CBS-2152-XTS, L1, L2, L3+GND, 3 HEATERS, JAPAN		
+/- .005		B			DRAWN BY	SCALE	MATERIAL
FRACTIONAL		C			AG	N/A	N/A
+/- 1/64"		D			CHK'D	SIZE	DRAWING NO.
ANGULAR		E			SZ	A	1401.00101.00
+/- 1/2 DEG					APP'D	DATE	
					LW	08-19-2014	

REVISIONS					A
REV	DATE	ECO NO	DESCRIPTION	BY:	
A	12/11/2013	N/A	ORIGINAL	AG	

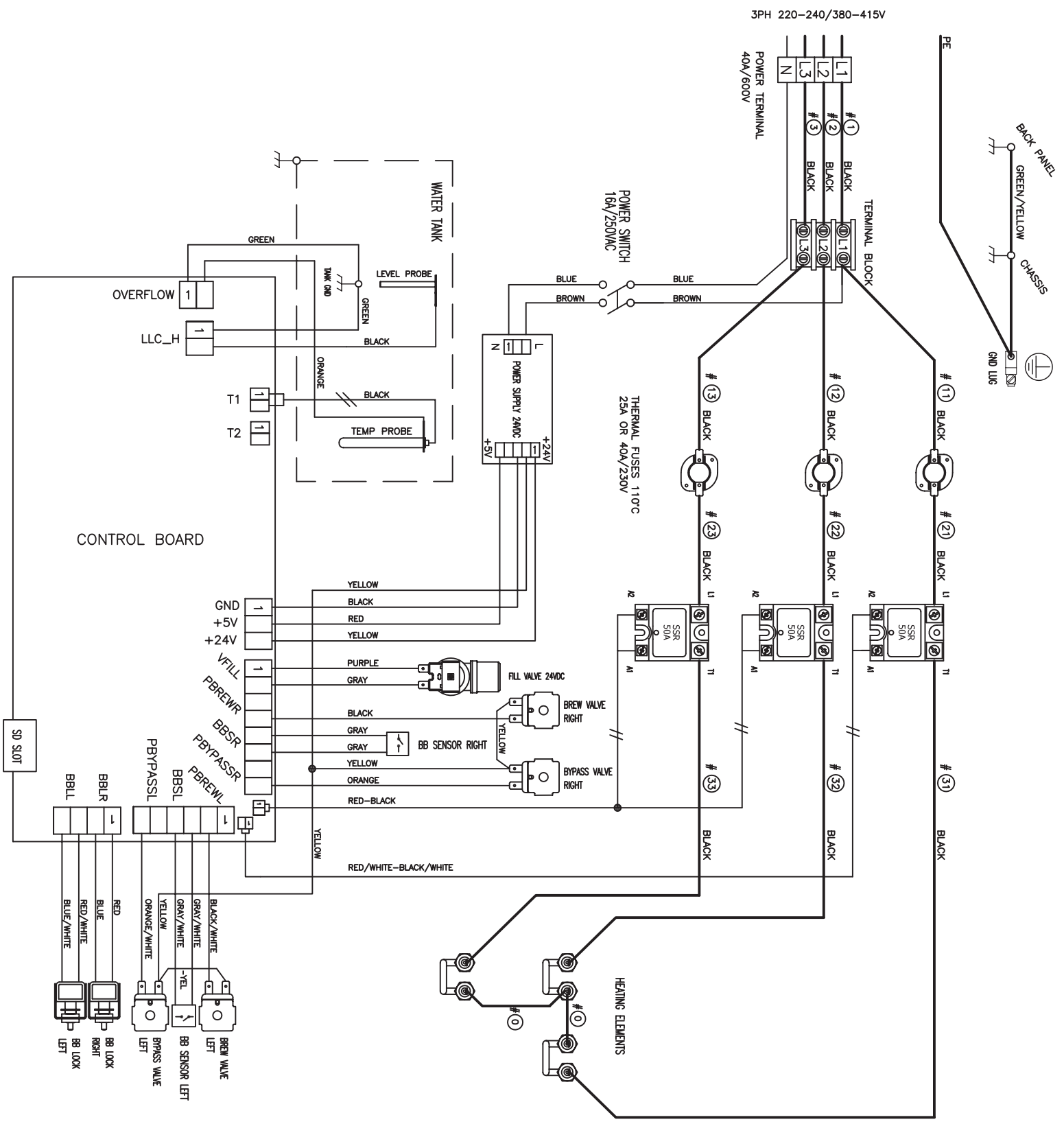


# CBS-2152 XTS

HEATER CONFIGURATION	VOLTAGE	PH	WIRES	KW	MAX AMP DRAW
3x3.0kW/240V	230/400	3	3L, N, PE	8.6	12.4
3x5.0kW/240V	230/400	3	3L, N, PE	14.1	20.4

TOLERANCES		REVISIONS			FETCO®		
EXCEPT AS NOTED	NO.	DATE	BY	FOOD EQUIPMENT TECHNOLOGY COMPANY 800 ROSE RD. LAKE ZURICH, IL 60047 PHONE: 847-719-3000, FAX: 847-719-3001 WWW.FETCO.COM			
DECIMAL	A	12-11-13	AG	DWG. NAME: WIRING, CBS-2152 XTS, 3PH, CE			
+/- .005	B			DRAWN BY	SCALE	MATERIAL	
FRACTIONAL	C			AG	N/A	N/A	
+/- 1/64"	D			CHK'D	SIZE	DRAWING NO.	
ANGULAR	E			LW	A	1401.00080.00	
+/- 1/2 DEG				APP'D	DATE		
				LW	12-11-2013		

REVISIONS				BY:	A
REV	DATE	ECO NO	DESCRIPTION		
A	12/22/2014	N/A	ORIGINAL		SZ



TOLERANCES		REVISIONS			FETCO®	FOOD EQUIPMENT TECHNOLOGY COMPANY 800 ROSE RD LAKE ZURICH, IL 60047 PHONE: 847-719-3000, FAX: 847-719-3001 WWW.FETCO.COM		
EXCEPT AS NOTED	NO.	DATE	BY	DWG. NAME:		SCALE	MATERIAL	
DECIMAL	A	12-22-14	SZ	WIRING, CBS-2152-XTS, L1, L2, L3, N+GND, 3 HEATERS, EXPORT	N/A	N/A		
FRACTIONAL	B							
ANGULAR	C				CHK'D AG	DRAWING NO.		
	D				APP'D LW	1401.00112.00		
	E							