

North America & International CBS_2142XTS—Twin 1 gallon version Electrical Configurations									
Configuration Code		Heater Configuration	Voltage	Phase	Wires	Electrical Connection	KW	Amp Draw	Gallon/Hour (1 gallon per batch)
Plastic Brewbasket	Stainless Steel Brewbasket								
E214290	E214290M	2 X 2.3 kW	200-240	1	2+G	Hardwired	4.7	16.5 - 19.7	11.5 gal/43.5 liter
E214291	E214291M	2 X 3.0 kW	200-240	1	2+G	Hardwired	6.1	21.2 - 25.4	14.0 gal/53 liter

Has cUL &UL and NSF-4 certification. Not certified CE

Japan CBS_2142XTS—Twin 1 gallon version Electrical Configurations									
Configuration Codes		Heater Configuration	Voltage	Phase	Wires	Electrical Connection	KW	Maximum Amp Draw	Brew-Volume/Hour (1½ gallon per batch)
Plastic Brewbasket	Stainless Steel Brewbasket								
E214280	E214280M	2 X 3.0 kW	200	1	2+G	Hardwired	4.3	21.2	14.0 gal/53 liter
E214281	E214281M	2 X 4.0 kW	200	1	2+G	Hardwired	5.7	28.5	17.1 gal/65 liters

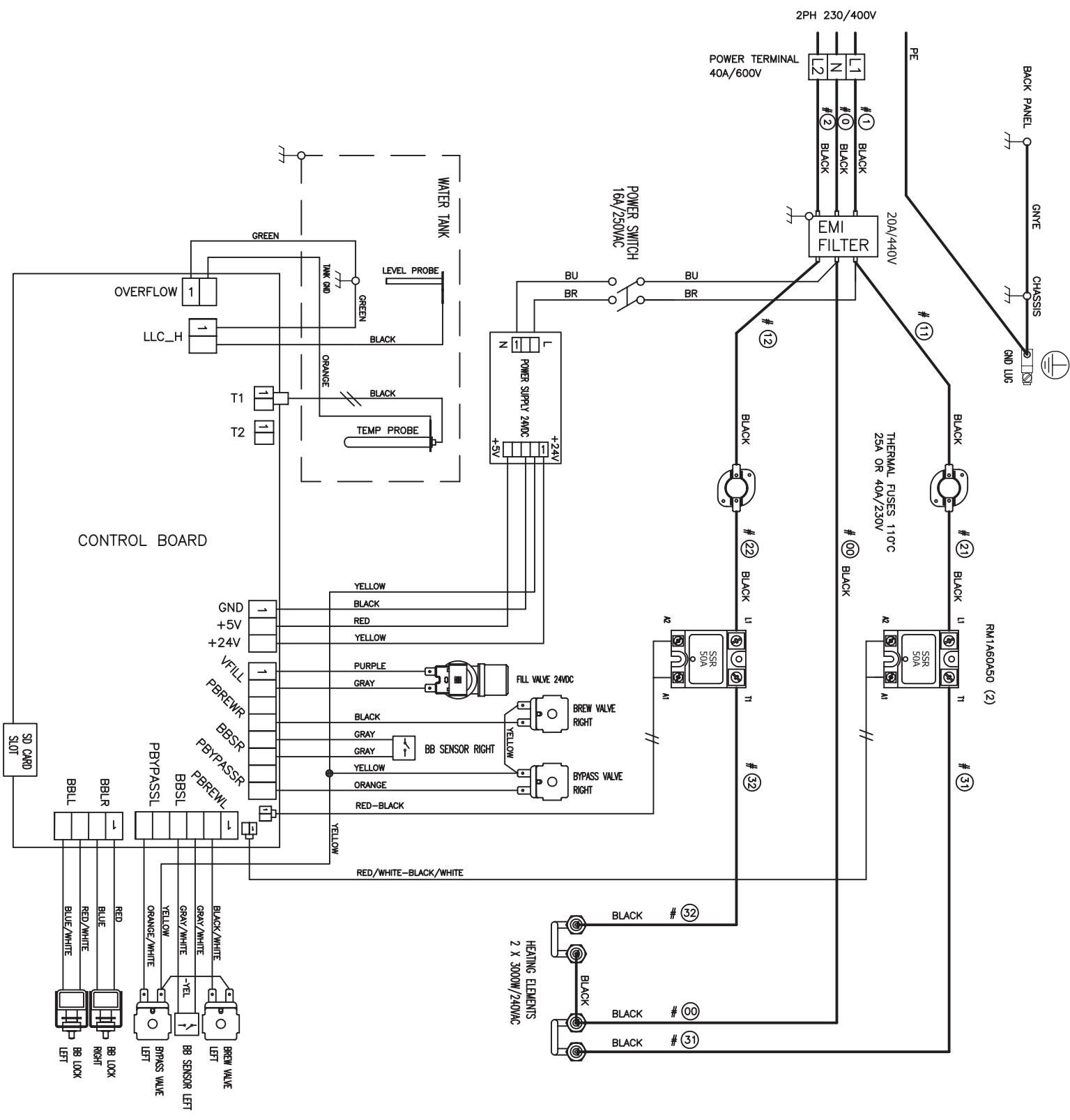
CE CBS_2142XTS—Twin 1 gallon version Electrical Configurations									
Configuration Code		Heater Configuration	Voltage	Phase	Wires	Electrical Connection	KW	Amp Draw	Gallon/Hour (1 gallon per batch)
Plastic Brewbasket	Stainless Steel Brewbasket								
(CE) E214261	(CE) E214261M	2 X 3.0 kW	230/400	2	2L,N,PE	Hardwired	5.6	12.4	14.0 gal/53 liter

Has CE and NSF-4 certification. Internal EMI filter. Not cUL and UL listed

SKU #	Wiring Diagram
E214251	1401.00055.00
E214261	1401.00077.00
E214280	1401.00055.00
E214281	1401.00055.00
E214290	1401.00098.00
E214291	1401.00098.00

REVISIONS				
REV	DATE	ECO NO	DESCRIPTION	BY:
A	12/10/2013	N/A	ORIGINAL	AG

A



CBS-2142 XTS

HEATER CONFIGURATION	VOLTAGE	PH	WIRES	KW	MAX AMP DRAW
2x3.0kW/240V	230/400	2	2L, N, PE	5.6	12.4

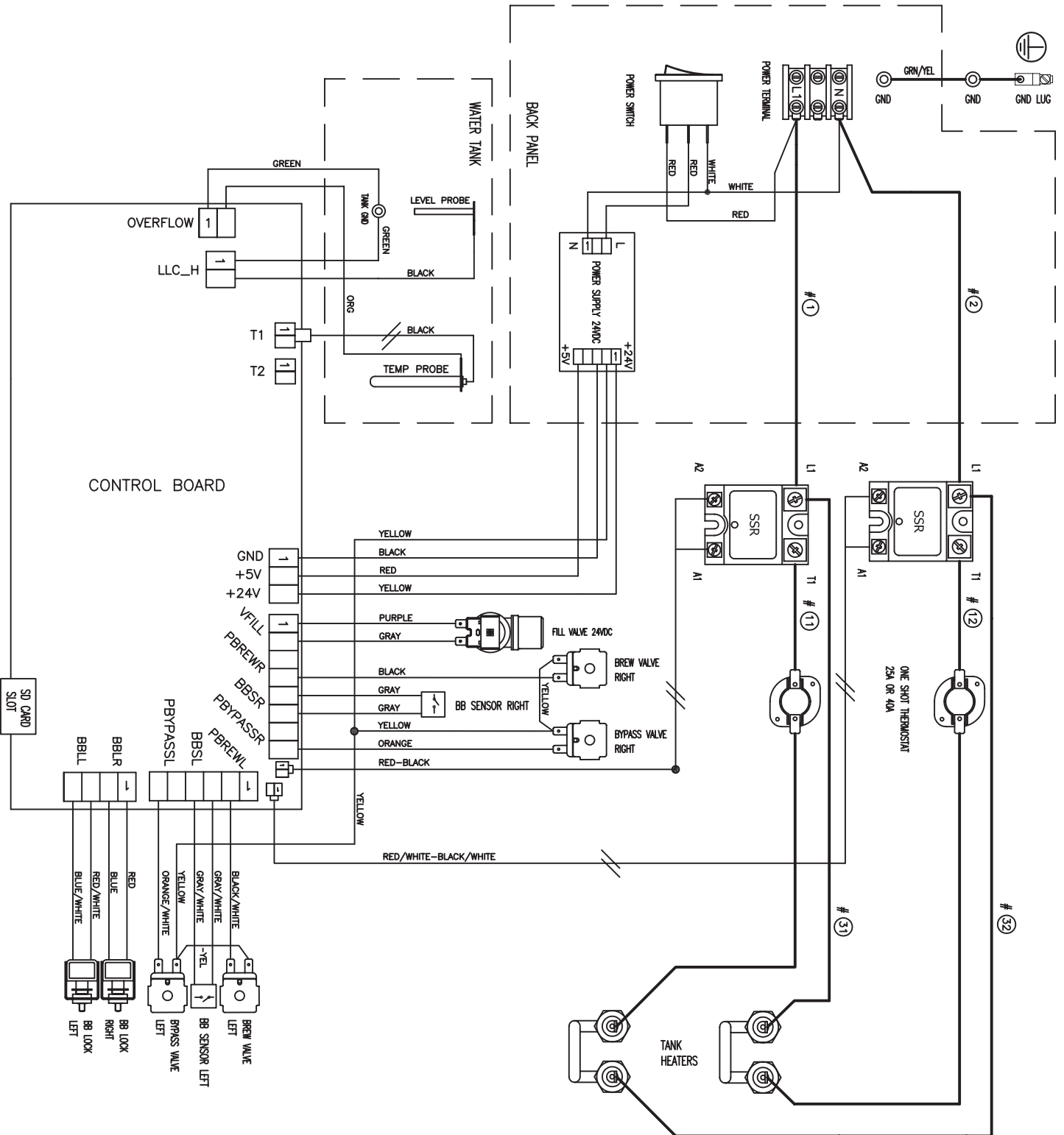
TOLERANCES	REVISIONS			DWG. NAME:	DRAWN BY	SCALE	MATERIAL
	EXCEPT AS NOTED	NO.	DATE				
DECIMAL	A	12-10-13	AG	WIRING, CBS-2142 XTS, 2PH, CE	AG	N/A	N/A
FRACTIONAL	B				AG	N/A	N/A
ANGULAR	C				AG	N/A	N/A
	D				AG	N/A	N/A
	E				AG	N/A	N/A

FETCO
 FOOD EQUIPMENT TECHNOLOGY COMPANY
 600 ROSE RD.
 LAKE ZURICH, IL 60047
 PHONE: 847-719-3000, FAX: 847-719-3001
 WWW.FETCO.COM

DWG. NAME: WIRING, CBS-2142 XTS, 2PH, CE
 DRAWN BY: AG
 SCALE: N/A
 MATERIAL: N/A
 CHECK'D: LW
 SIZE: A
 DRAWING NO.: 1401.00077.00
 APP'D: LW
 DATE: 12-10-2013

PROPRIETARY AND CONFIDENTIAL. THE INFORMATION CONTAINED IN THIS DRAWING IS THE SOLE PROPERTY OF FETCO. ANY REPRODUCTION IN PART OR AS A WHOLE WITHOUT THE WRITTEN PERMISSION OF FETCO IS PROHIBITED.

REVISIONS				BY:	A
REV	DATE	ECO NO	DESCRIPTION		
A	08/12/14	N/A	ORIGINAL	AG	



TOLERANCES	REVISIONS			DWG. NAME:	SCALE	MATERIAL
	NO.	DATE	BY			
EXCEPT AS NOTED	A	08-12-14	AG	WIRING, CBS-2142-XTS, L1, N+GND, 2 HEATERS, EXPORT	N/A	N/A
DECIMAL	B					
FRACTIONAL	C					
ANGULAR	D					
	E					
				DRAWN BY	AG	
				CHK'D	LW	
				APP'D	LW	
				DATE	08-12-2014	
				DRAWING NO.	1401.00098.00	

FETCO[®] FOOD EQUIPMENT TECHNOLOGY COMPANY
 800 ROSE RD.
 LAKE ZURICH, IL 60047
 PHONE: 847-719-3000, FAX: 847-719-3001
 WWW.FETCO.COM