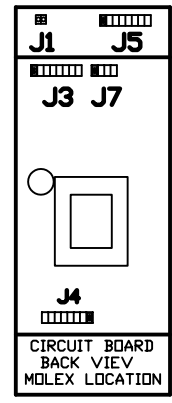
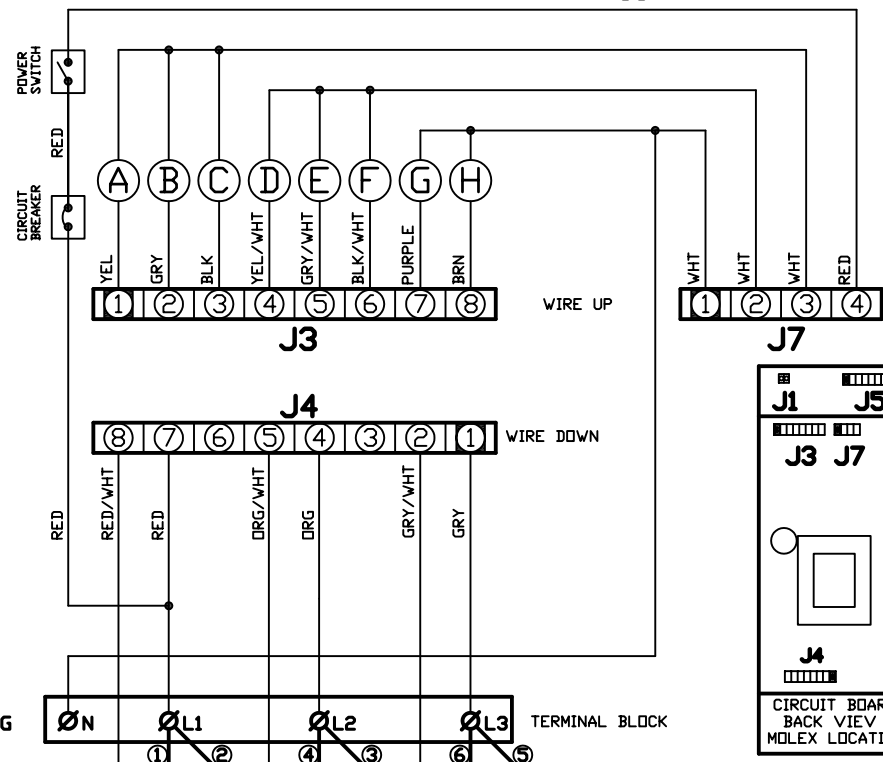
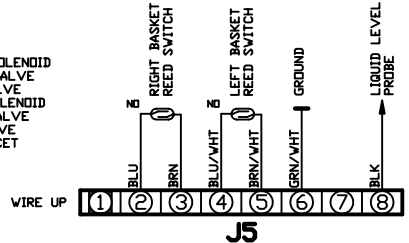
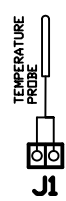


JUMPER PROTECTION
 DANGER
 HIGH VOLTAGE
 JUMPER

SINGLE PHASE
 JUMP L2 & L3
 POWER L1 & L2

THREE PHASE
 NO JUMPER!
 POWER L1, L2, & L3

- LEGEND:**
- A- RIGHT LOCKER SOLENOID
 - B- RIGHT BYPASS VALVE
 - C- RIGHT BREW VALVE
 - D- LEFT LOCKER SOLENOID
 - E- LEFT BYPASS VALVE
 - F- LEFT BREW VALVE
 - G- HOT WATER FAUCET
 - H- FILL VALVE



FETCO FOOD EQUIPMENT TECHNOLOGIES COMPANY, INC.
 800 ROSE RD. LAKE ZURICH, IL, 60047
 PHONE: (800) 338-2699; (847)-719-3000, FAX: (847)-719-3001
 e-MAIL: techsupport@fetco.com. http://www.fetco.com

FETCO PRODUCT NO. CBS-2052e	DESCRIPTION WIRING DIAGRAM, CBS-2052e, UNIVERSAL WIRING, 3PH, 4WIRE	WIRING DIAGRAM NO. 401211-008
--------------------------------	--	----------------------------------