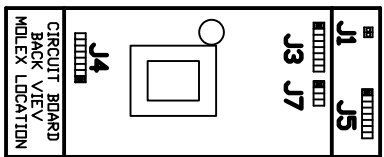
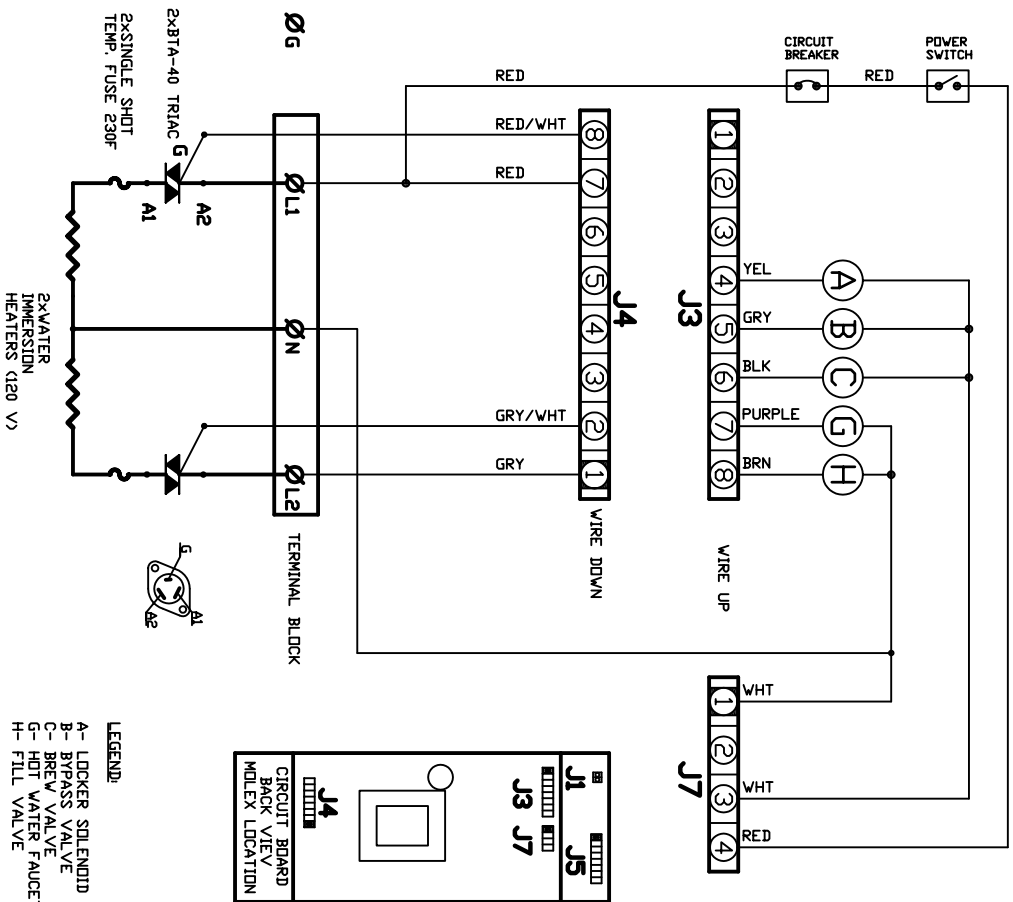
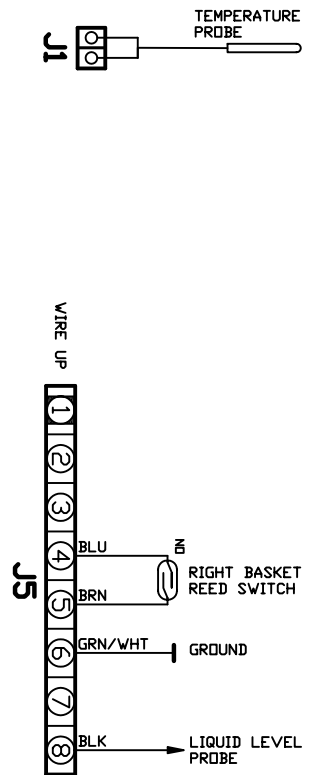


FETCO PRODUCT NO. CBS-2031S

DESCRIPTION WIRING DIAGRAM, CBS-2031S, 1PH, 3WIRES, + GRD, 2 HEATERS

WIRING DIAGRAM NO. 401254-001

FETCO FOOD EQUIPMENT TECHNOLOGIES COMPANY, INC.
600 ROSE RD. LAKE ZURICH, IL 60047
PHONE: (800) 338-2699; (847)-719-3000, FAX: (847)-719-3001
e-MAIL: techsupport@fetco.com, http://www.fetco.com



FETCO PRODUCT NO. CBS-2031S

DESCRIPTION WIRING DIAGRAM, CBS-2031S, 1PH, 3WIRES, + GRD, 2 HEATERS

WIRING DIAGRAM NO. 401254-001

FETCO FOOD EQUIPMENT TECHNOLOGIES COMPANY, INC.
600 ROSE RD. LAKE ZURICH, IL 60047
PHONE: (800) 338-2699; (847)-719-3000, FAX: (847)-719-3001
e-MAIL: techsupport@fetco.com, http://www.fetco.com