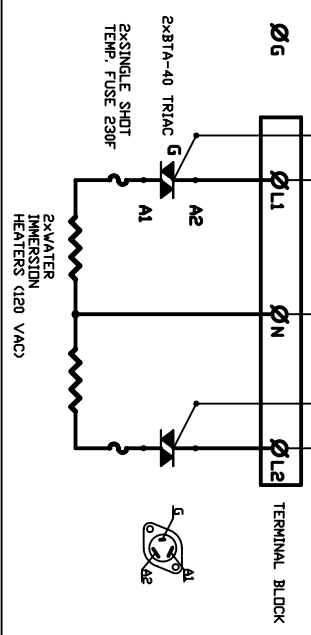
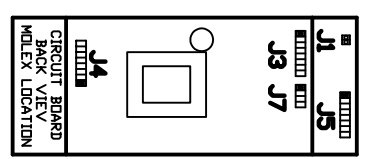
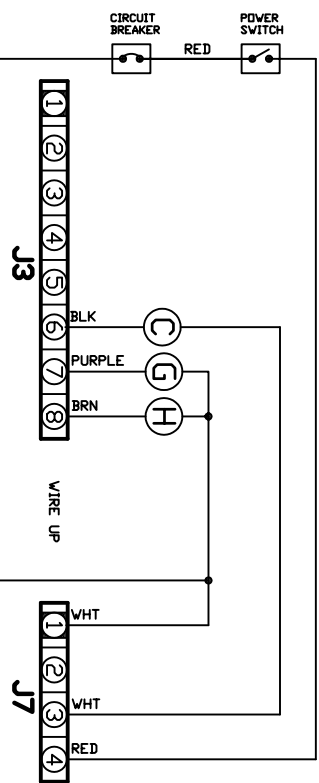
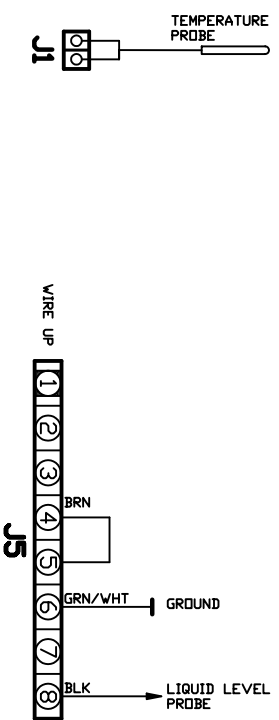


FETCO PRODUCT NO. CBS-2031e

DESCRIPTION: WIRING DIAGRAM, CBS-2031e, LL, L2, N + GRD, & 2 HEATERS OR LL, N + GRD, 1 HEATER

VIRING DIAGRAM NO. 401217-003

FETCO FOOD EQUIPMENT TECHNOLOGIES COMPANY, INC. 600 ROSE RD. LAKE ZURICH, IL 60047. PHONE: (800) 338-2699. FAX: (847)-719-3000. E-MAIL: techsupport@fetco.com. http://www.fetco.com



FETCO PRODUCT NO. CBS-2031e

DESCRIPTION: WIRING DIAGRAM, CBS-2031e, LL, L2, N + GRD, & 2 HEATERS OR LL, N + GRD, 1 HEATER

VIRING DIAGRAM NO. 401217-003

FETCO FOOD EQUIPMENT TECHNOLOGIES COMPANY, INC. 600 ROSE RD. LAKE ZURICH, IL 60047. PHONE: (800) 338-2699. FAX: (847)-719-3000. E-MAIL: techsupport@fetco.com. http://www.fetco.com