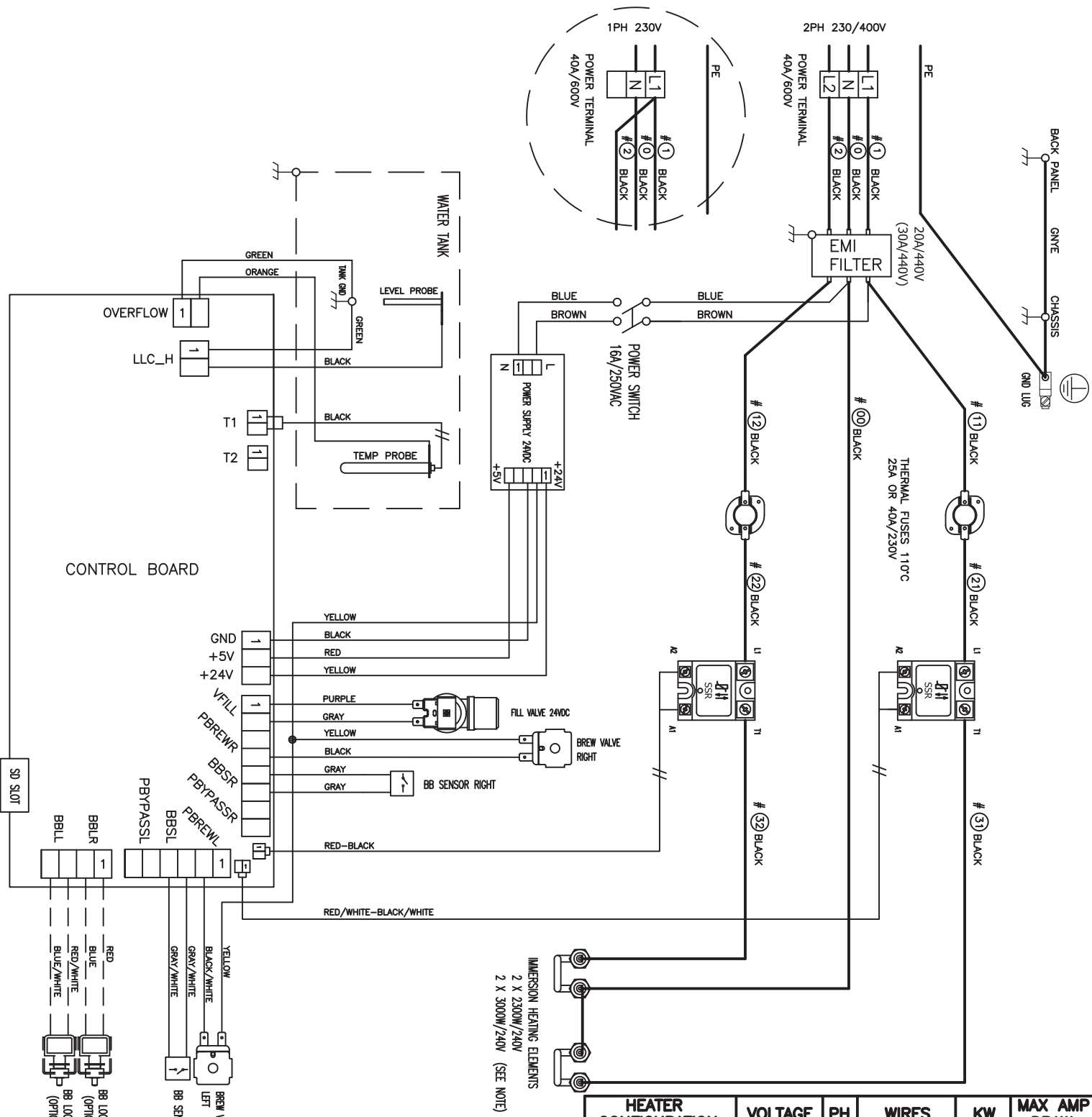


	SKU DESCRIPTION:	Phase	Volts	Wires	KW	Amps	Schematic	Heaters
E113251	CBS-1132-XV+, 1Ph, 2+G, 2 X 2.3kW/240VAC, 200-240VAC,	single	200-240	2 + ground	3.3 - 4.7	16.5 - 19.7	1401.00050.00	2 X 2.3KW
E113252	CBS-1132-XV+, 1Ph, 2+G, 2 X 3kW/240VAC, 200-240VAC	single	200-240	2 + ground	4.2 - 6.1	21.3 - 25.5	1401.00050.00	2 X 3.0KW
E113262	CBS-1132-XV+, 2Ph, 2L,N,PE, 2 X 3kW/240VAC, 230/400VAC, CE	2	230/400	2L,N,PE	5600W	12.4	1401.00078.00	
E113264	CBS-1132-XV+, 2Ph, 2L,N,PE, 2 X 2.3kW/240VAC, 230/400VAC, CE						1401.00078.00	
E113266	CBS-1132-XV+, 1Ph, L,N,PE, 2 X 3kW/240VAC, 230VAC, CE						1401.00078.00	
E113268	CBS-1132-XV+, 1Ph, L,N,PE, 2 X 2.3kW/240VAC, 230VAC, CE						1401.00078.00	
E113254	CBS-1132-XV+, 1Ph, 2+G, 2 X 2.3kW/240VAC, 220-240VAC,	single	200-240	2 + g	3.3 - 4.7	16.5 - 19.7	1401.00085.00	2 X 2.3KW
E113291	CBS-1132-XV+, 1Ph, 2+G, 2 X 3.0kW/240VAC, 200-240VAC,	single	200-240	2 + g	6.1	21.2 - 25.4	1401.00085.00	2 X 3.0KW



HEATER CONFIGURATION	VOLTAGE	PH	WIRES	KW	MAX AMP DRAW
2x2.3kW/240V	230	1	L, N, PE	4.3	18.8
2x3.0kW/240V	230	1	L, N, PE	5.6	24.4
2x2.3kW/240V	230/400	2	2L, N, PE	4.3	9.6
2x3.0kW/240V	230/400	2	2L, N, PE	5.6	12.4

1401.00078.00 WIRING CBS-1132XV+ CE, UNIVERSAL

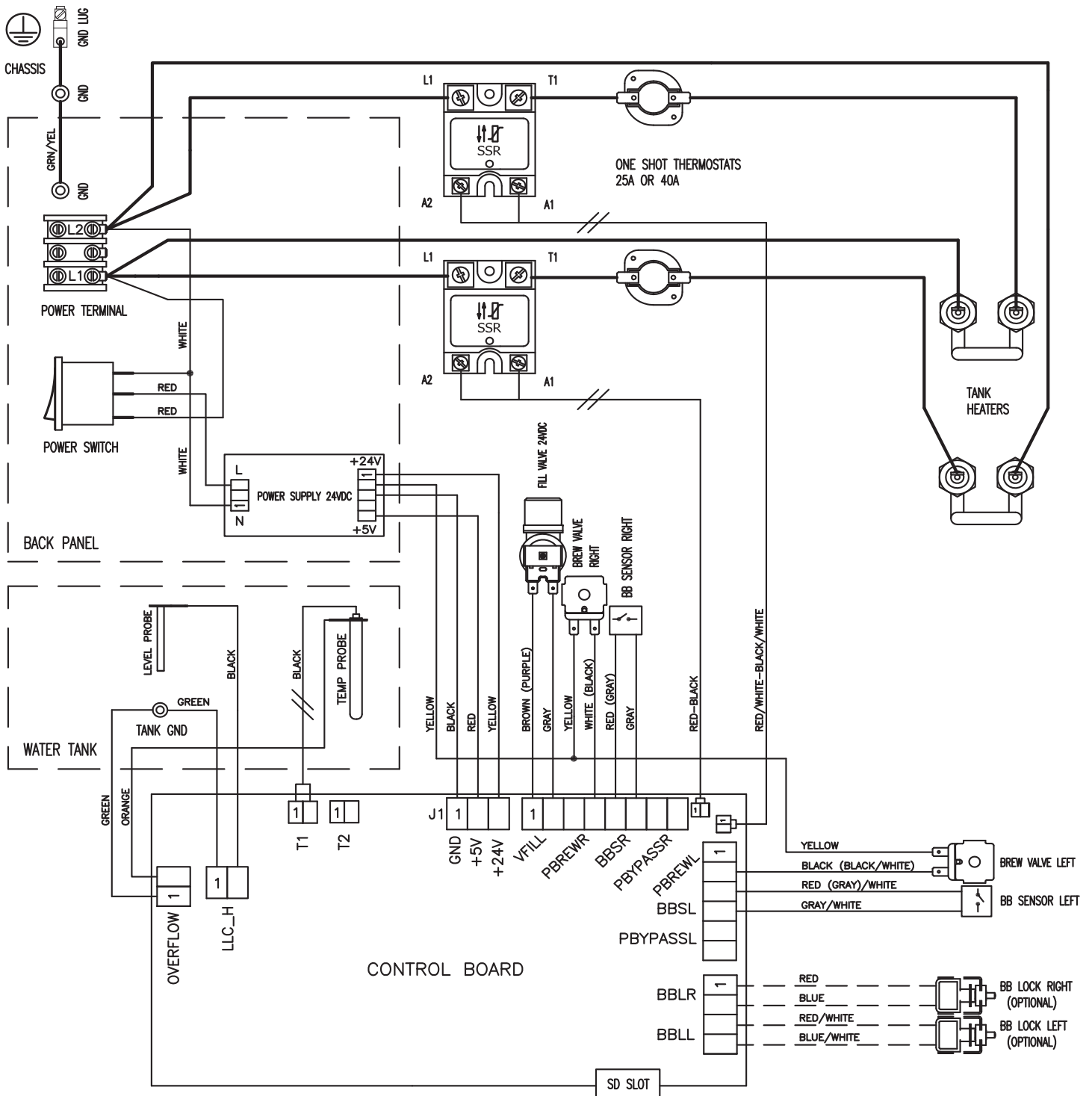
SKU DESCRIPTION:

- E113262 CBS-1132-XV+, 2Ph, 2L,N,PE, 2 X 3kW/240VAC, 230/400VAC, CE
- E113264 CBS-1132-XV+, 2Ph, 2L,N,PE, 2 X 2.3kW/240VAC, 230/400VAC, CE
- E113266 CBS-1132-XV+, 1Ph, L,N,PE, 2 X 3kW/240VAC, 230VAC, CE
- E113268 CBS-1132-XV+, 1Ph, L,N,PE, 2 X 2.3kW/240VAC, 230VAC, CE

Phase	Volts	Wires	KW	Amps	Schematic
2	230/400	2L,N,PE	5600W	12.4	1401.00078.00
					1401.00078.00
					1401.00078.00
					1401.00078.00



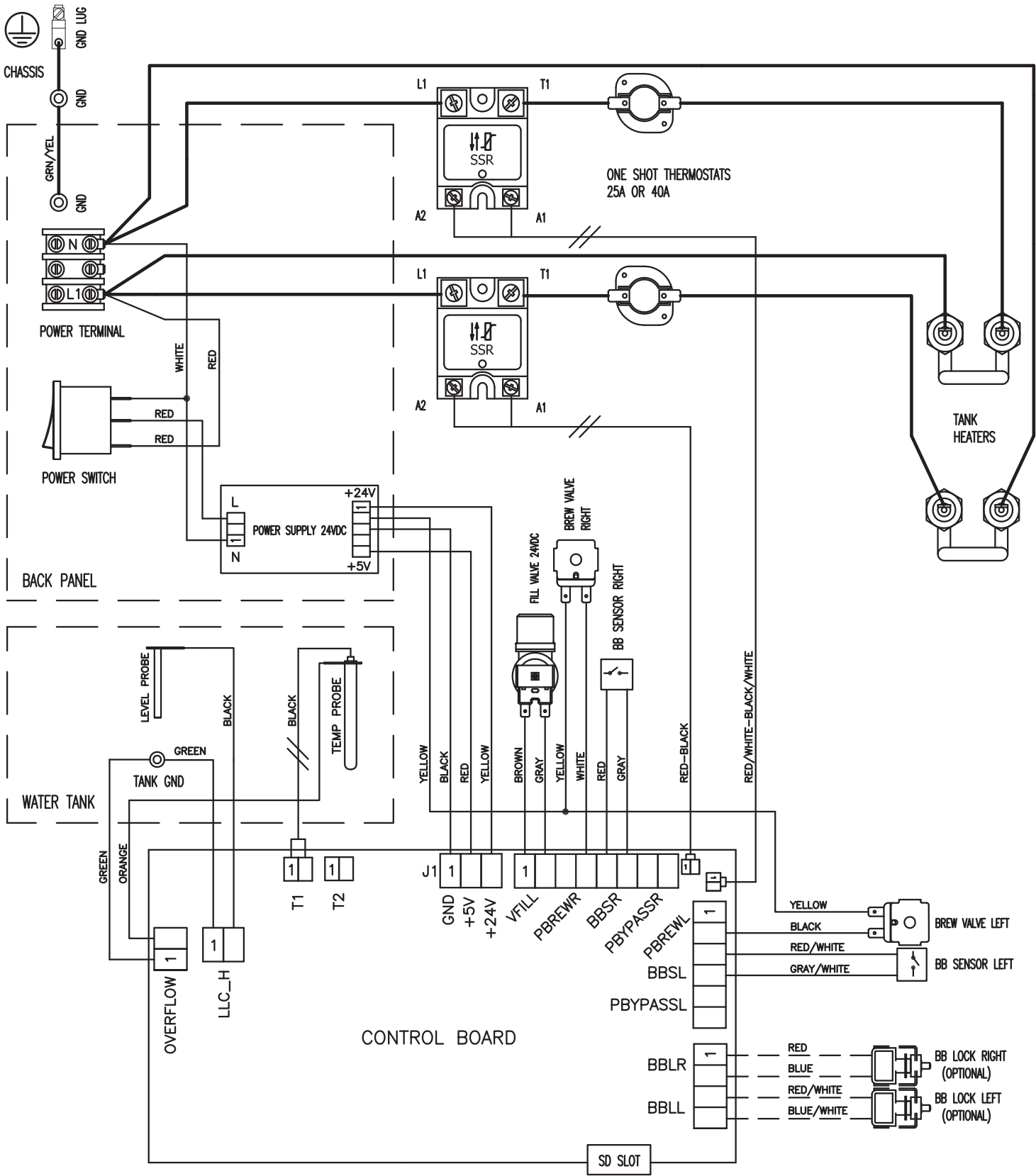
FOOD EQUIPMENT TECHNOLOGY COMPANY
 600 ROSE RD.
 LAKE ZURICH, IL 60047
 PHONE: 847-719-3000, FAX: 847-719-3001
 WWW.FETCO.COM



FETCO®
 FOOD EQUIPMENT TECHNOLOGY COMPANY
 600 ROSE RD.
 LAKE ZURICH, IL 60047
 PHONE: 847-719-3000, FAX: 847-719-3001
 WWW.FETCO.COM

DWG. NAME:
 WIRING, CBS_1132 XV+ (L1, L2 + GND), 1401.00050.00
 2 HEATERS

SKU DESCRIPTION:	Phase	Volts	Wires	KW	Amps	Schematic	Heaters
E113251 CBS-1132-XV+, 1Ph, 2+G, 2 X 2.3kW/240VAC, 200-240VAC,	single	200-240	2 + ground	3.3 - 4.7	16.5 - 19.7	1401.00050.00	2 X 2.3KW
E113252 CBS-1132-XV+, 1Ph, 2+G, 2 X 3kW/240VAC, 200-240VAC	single	200-240	2 + ground	4.2 - 6.1	21.3 - 25.5	1401.00050.00	2 X 3.0KW



FETCO® FOOD EQUIPMENT TECHNOLOGY COMPANY
 600 ROSE RD.
 LAKE ZURICH, IL 60047
 PHONE: 847-719-3000, FAX: 847-719-3001
 WWW.FETCO.COM

WIRING, CBS-1132XV+ (L1, N + GND),
 2 HEATERS 1401.00085.00

SKU DESCRIPTION:	Phase	Volts	Wires	KW	Amps	Schematic	Heaters
E113254 CBS-1132-XV+, 1Ph, 2+G, 2 X 2.3kW/240VAC, 220-240VAC,	single	200-240	2 + g	3.3 - 4.7	16.5 - 19.7	1401.00085.00	2 X 2.3KW
E113291 CBS-1132-XV+, 1Ph, 2+G, 2 X 3.0kW/240VAC, 200-240VAC,	single	200-240	2 + g	6.1	21.2 - 25.4	1401.00085.00	2 X 3.0KW