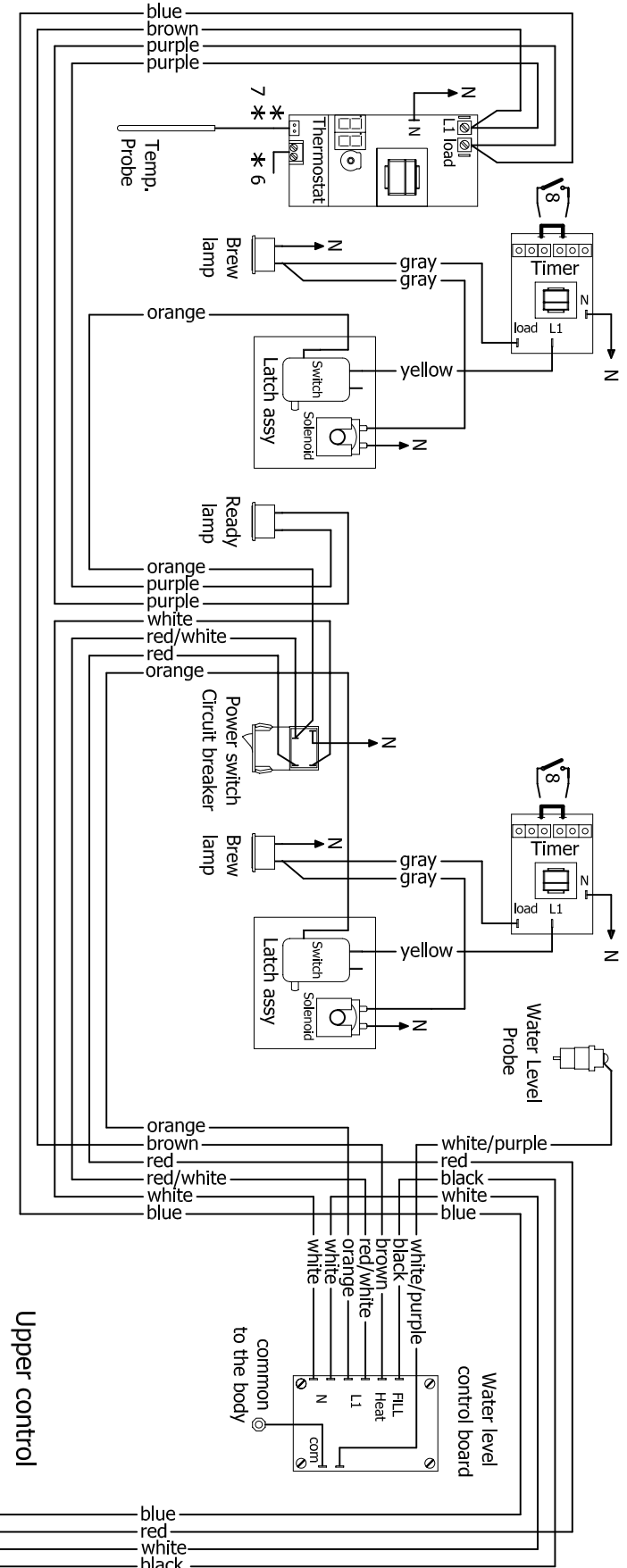


- Notes:
- 1- Use harness PN. 402-085 & 402-071
 - 2- All heater wires (shown as bold) to be 10 AWG
 - 3- All control circuit wires to be 18 AWG
 - 4- All wires stranded, (tinned) copper, PVC Insulated, 105 Deg, 300 V or 600 V
 - 5- Terminal U.L. listed
 - 6- * Analog temperature probe only !
 - 7- ** Digital temperature probe only !
 - 8- Optional - full/half batch switch



FETCO FOOD EQUIPMENT TECHNOLOGY COMPANY
 600 ROSE RD.
 LAKE ZURICH, IL 60047
 PHONE: 847-719-3000, FAX: 847-719-3001
 WWW.FETCO.COM

FETCO PRODUCT NO.
CBS - 62 H

DESCRIPTION
**WIRING DIAGRAM CBS-62H SSR,
 L1,L2,L3,N+GRND, 120/208-240VAC, 6 HEATERS**

WIRING DIAGRAM NO.
401303-005