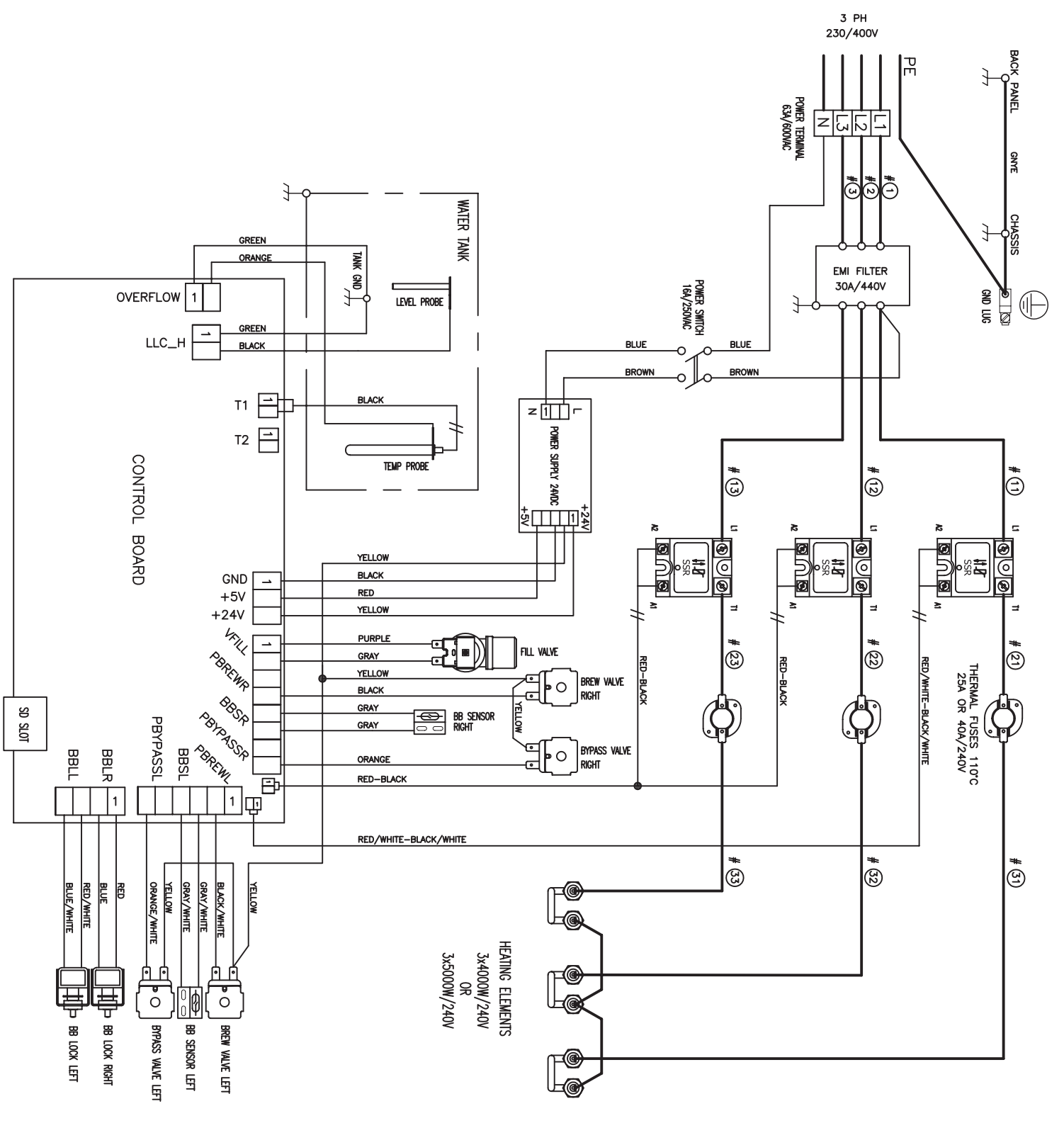


REVISIONS				
REV	DATE	ECO NO	DESCRIPTION	BY:
A	03/10/15	N/A	ORIGINAL	SZ
B	06/25/15	N/A	REVISED, THER. FUSES RELOCATION	SZ

B



CBS_2162XTS

HEATER CONFIG.	VOLTAGE	PH	WIRES	KW	MAX AMP DRAW
3x4000W	230/400	3	3L,N,PE	11.2	16.3
3x5000W	230/400	3	3L,N,PE	14.1	20.4

TOLERANCES	REVISIONS			DWG. NAME:	SCALE	MATERIAL
	EXCEPT AS NOTED	NO.	DATE			
DECIMAL	A	03-10-15	SZ	WIRING, CBS_2162XTS, (3L, N, PE), 3 HEATERS, CE	N/A	N/A
N/A FRACTIONAL	B	06-25-15	SZ			
N/A ANGULAR	C			DRAWN BY	SZ	
N/A	D			CHK'D	LW	
	E			APP'D	LW	

FETCO[®] FOOD EQUIPMENT TECHNOLOGY COMPANY
 600 ROSE RD.
 LAKE ZURICH, IL 60047
 PHONE: 847-719-3000, FAX: 847-719-3001
 WWW.FETCO.COM

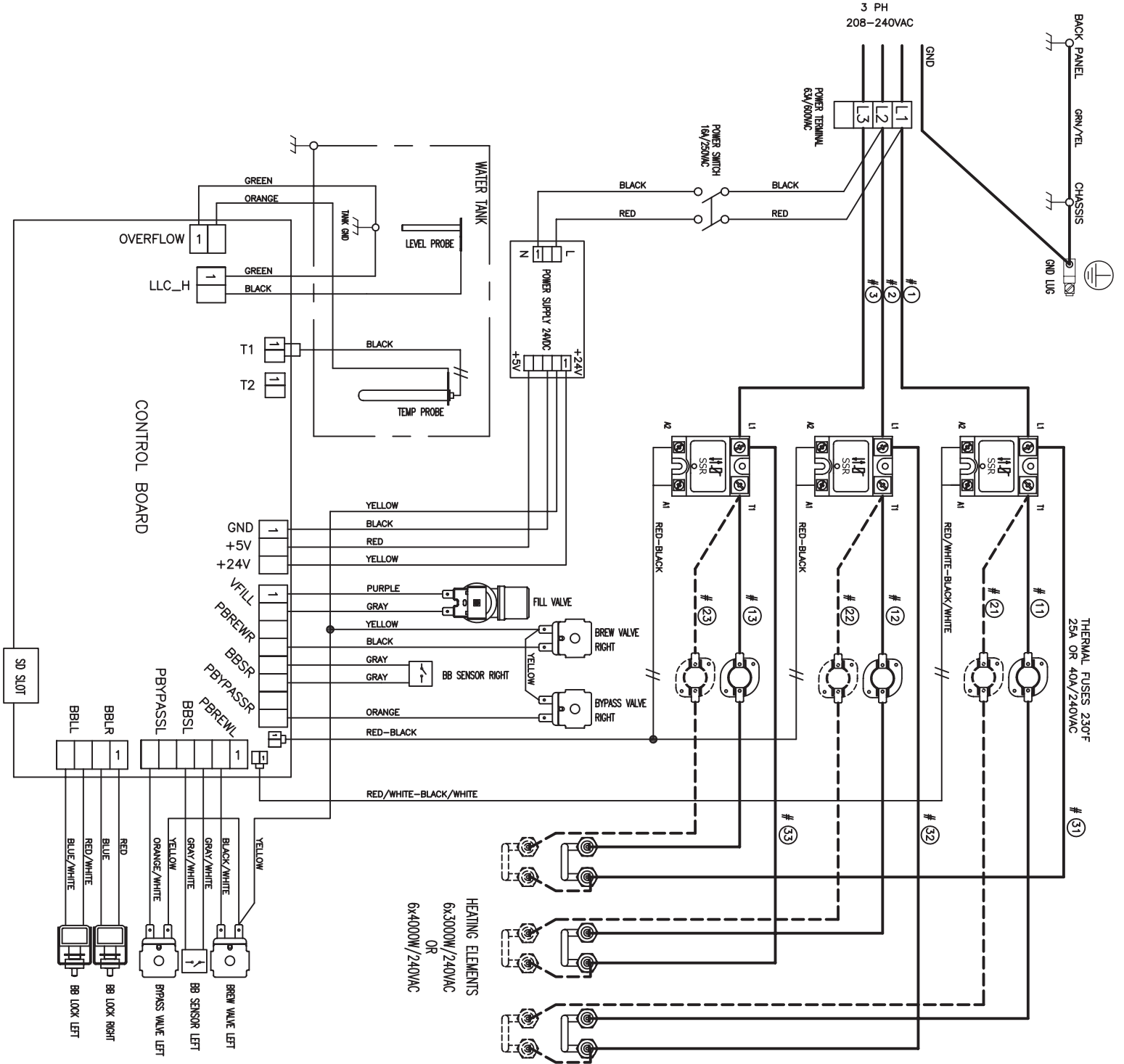
1401.00119.00

NOTE:

3 HEATERS CONFIGURATION CONTAINS NO CIRCUIT ELEMENTS SHOWN AS A DASHED LINES.

REVISIONS

REV	DATE	ECO NO	DESCRIPTION	BY:	A
A	01/22/15	N/A	ORIGINAL	SZ	



CBS_2162XTS

HEATER CONFIG.	VOLTAGE	PH	WIRES	KW	MAX AMP DRAW
3x3000W	208-240	3	3+G	7.0- 9.1	19.4-22.4
6x3000W	208-240	3	3+G	13.7-18.1	37.8-43.7
3x4000W	208-240	3	3+G	9.2-12.1	25.6-29.6
6x4000W	208-240	3	3+G	18.2-24.1	50.4-58.1

TOLERANCES		REVISIONS			FETCO®		
EXCEPT AS NOTED	NO.	DATE	BY	FOOD EQUIPMENT TECHNOLOGY COMPANY 800 ROSE RD LAKE ZURICH, IL 60047 PHONE: 847-719-3000, FAX: 847-719-3001 WWW.FETCO.COM			
DECIMAL	A	01-22-15	SZ	DWG. NAME: WIRING, CBS_2162XTS, (L1, L2, L3 + GND), 3 or 6 HEATERS, UL.			
N/A	B			DRAWN BY	SCALE	N/A	MATERIAL
FRACTIONAL	C			CHK'D	LW	A	DRAWING NO.
N/A	D			APP'D	LW	DATE	1401.00114.00
ANGULAR	E					01-22-2015	
N/A							