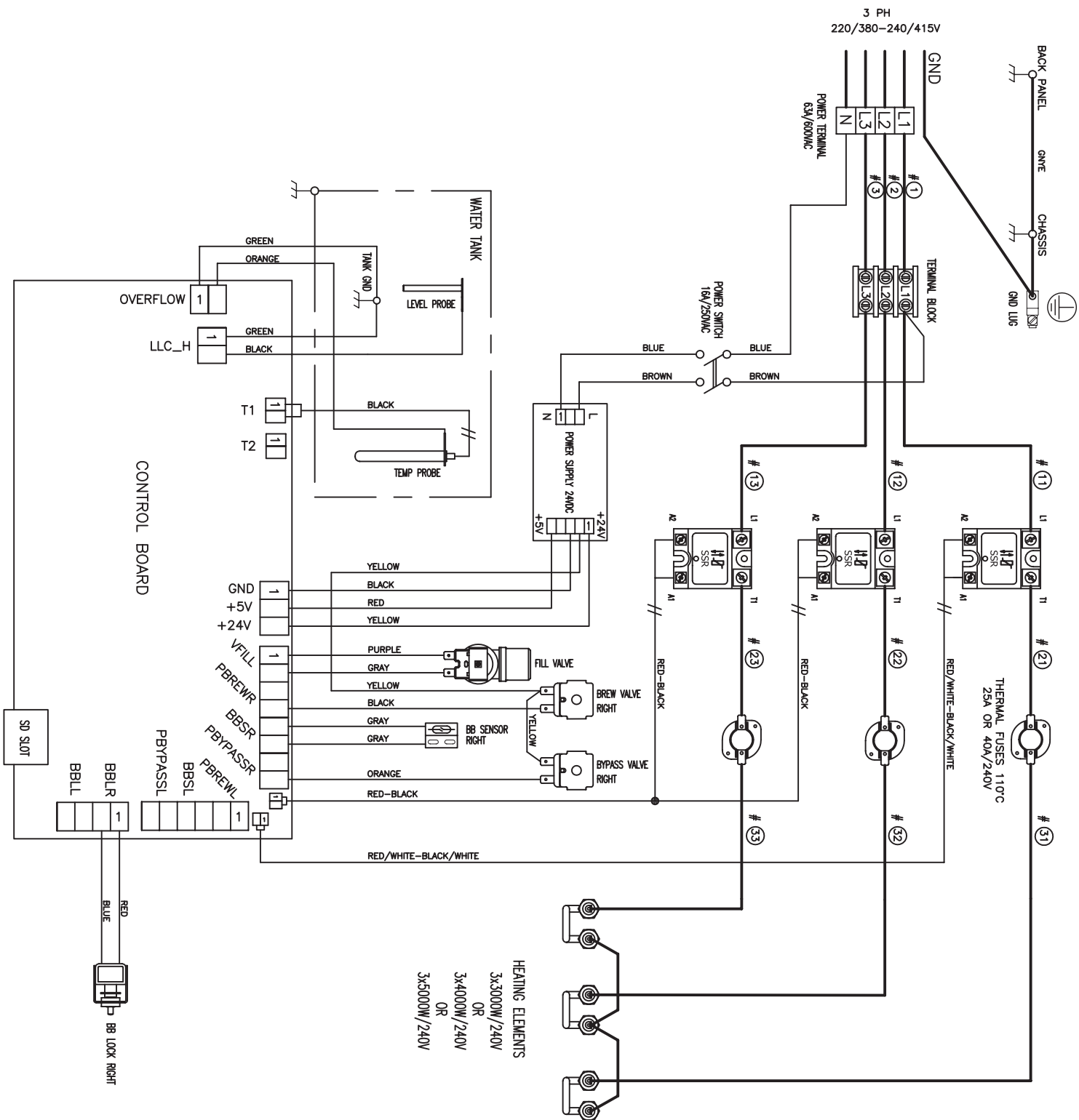


REVISIONS

REV	DATE	ECO NO	DESCRIPTION	BY:	A
A	12/04/15	N/A	ORIGINAL	SZ	



TOLERANCES

EXCEPT AS NOTED
DECIMAL
N/A
FRACTIONAL
N/A
ANGULAR
N/A

REVISIONS

NO.	DATE	BY
A	12-04-15	SZ
B		
C		
D		
E		



FOOD EQUIPMENT TECHNOLOGY COMPANY
800 ROSE RD.
LAKE ZURICH, IL 60047
PHONE: 847-719-3000, FAX: 847-719-3001
WWW.FETCO.COM

DWG. NAME:
WIRING, CBS_2161XTS, 3PH (3L, N, GND),
3 HEATERS, EXPORT.

DRAWN BY	SZ	SCALE	N/A	MATERIAL	N/A
CHK'D	SZ	SIZE	A	DRAWING NO.	1401.00133.00
APP'D	SP	DATE	12-04-2015		

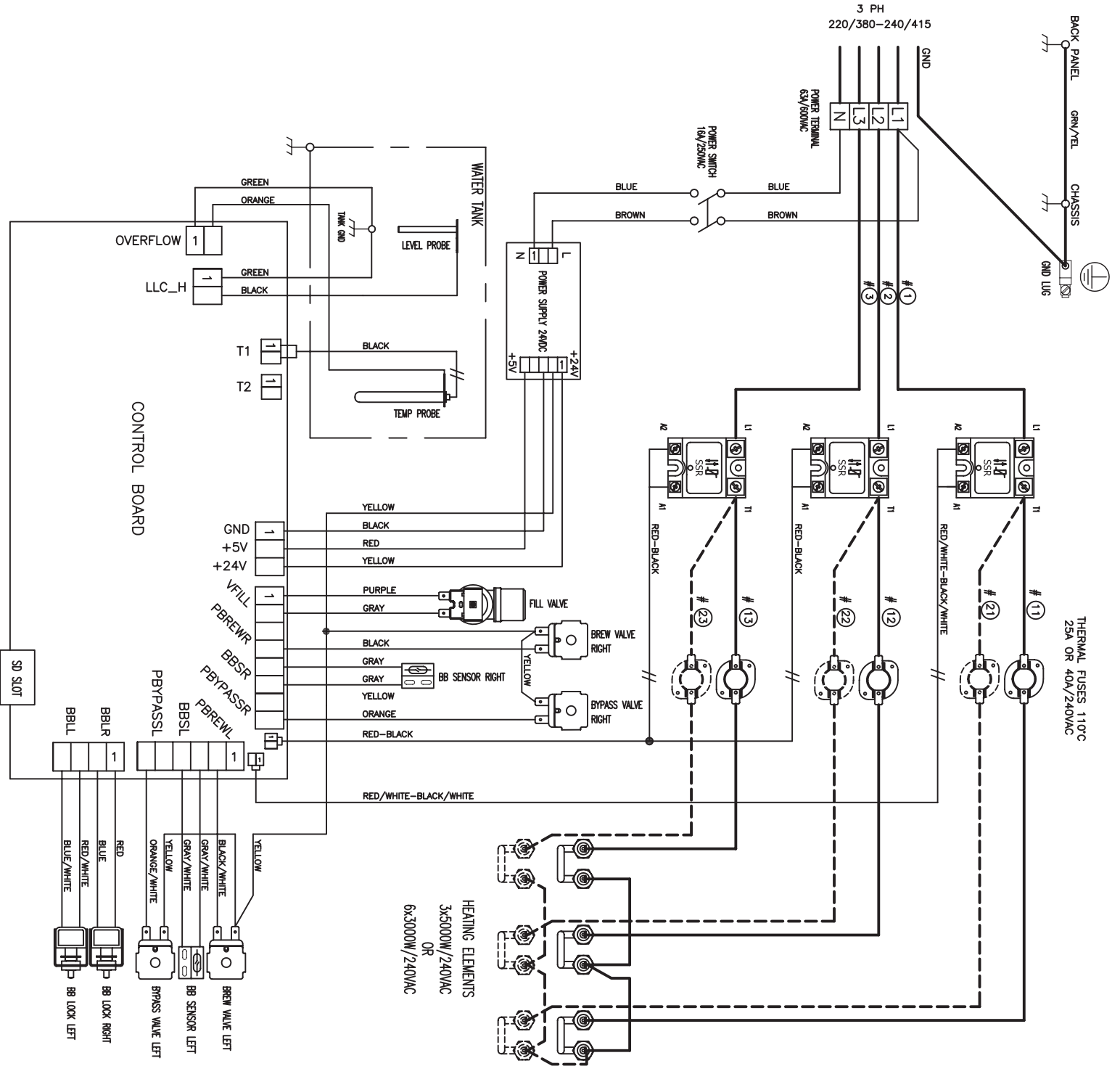
HEATER CONFIG.	VOLTAGE	PH	WIRES	NOMINAL KW	MAX AMP DRAW
3x3000W	220/380-240/415	3	3L,N,GND	9.1	11.7-12.7
3x4000W	220/380-240/415	3	3L,N,GND	12.1	15.5-16.9
3x5000W	220/380-240/415	3	3L,N,GND	15.1	19.3-21.1

NOTE:

3 HEATERS CONFIGURATION CONTAINS NO CIRCUIT ELEMENTS SHOWN AS A DASHED LINES.

REVISIONS

REV	DATE	ECO NO	DESCRIPTION	BY:	A
A	04/21/15	N/A	ORIGINAL	SZ	



CBS_2162XTS

HEATER CONFIG.	VOLTAGE	PH	WIRES	KW	MAX AMP DRAW
3x5000W	240/415	3	4+G	15.1	21.3
6x3000W	240/415	3	4+G	18.1	25.5

TOLERANCES	REVISIONS			FETCO®	FOOD EQUIPMENT TECHNOLOGY COMPANY			
	EXCEPT AS NOTED	NO.	DATE		BY	800 ROSE RD	LAKE ZURICH, IL 60047	PHONE: 847-719-3000, FAX: 847-719-3001
DECIMAL	A	04-21-15	SZ	DWG. NAME:	WIRING, CBS_2162XTS, (L1, L2, L3, N + GND), 3 or 6 HEATERS, INTERNATIONAL.			
N/A	B			DRAWN BY	SZ	SCALE	N/A	
FRACTIONAL	C			CHK'D	LW	SIZE	A	
N/A	D			APP'D	LW	DATE	04-21-2015	
ANGULAR	E							
N/A							MATERIAL	N/A
							DRAWING NO.	1401.00120.00

NOTICE TO LICENSED INSTALLER

REVISIONS					A
REV	DATE	ECO NO	DESCRIPTION	BY:	
A	01/22/15	N/A	ORIGINAL	SZ	

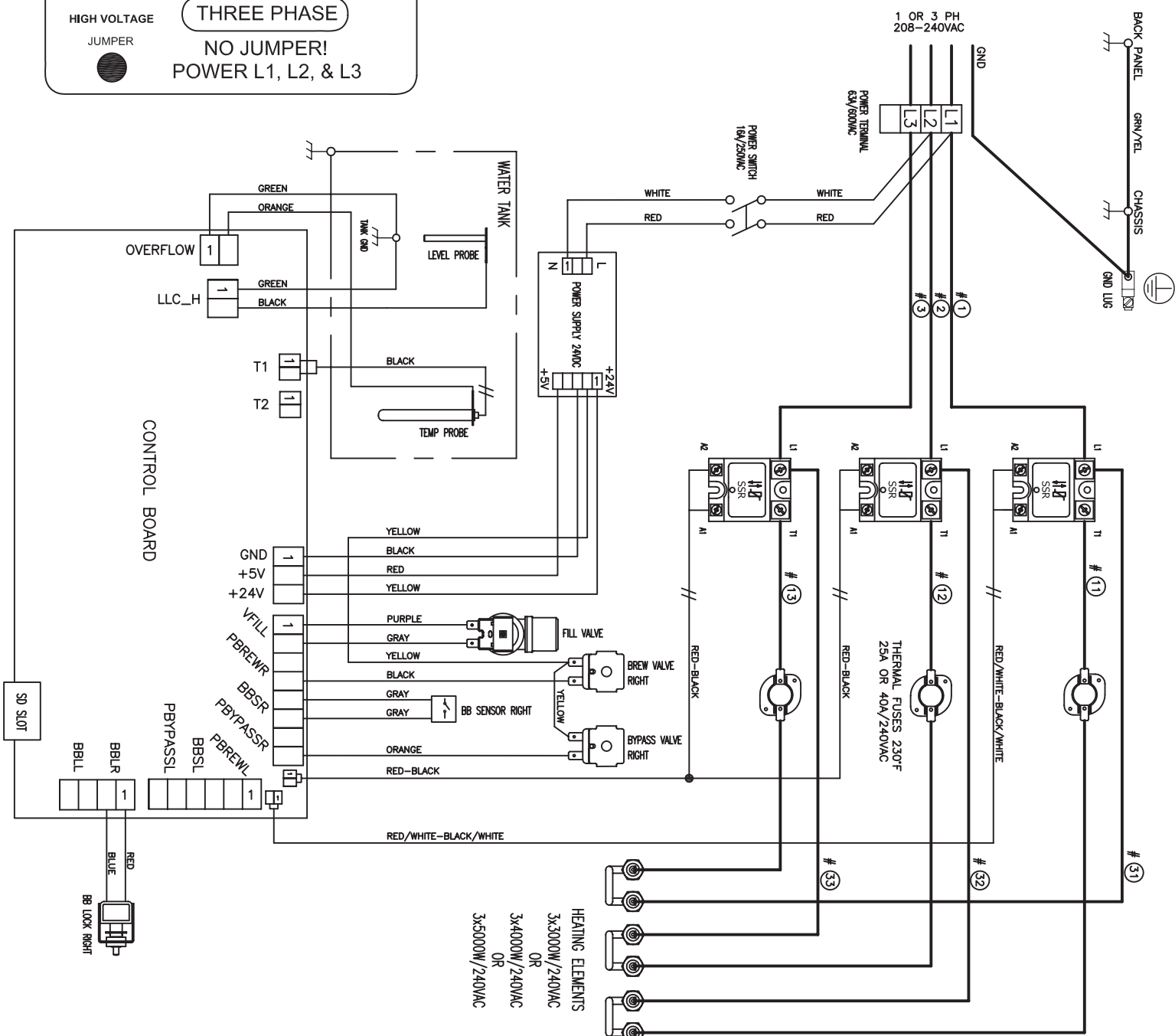
SINGLE PHASE

JUMPER PROTECTION
▲ DANGER

JUMP L2 & L3
POWER L1 & L2

THREE PHASE

NO JUMPER!
POWER L1, L2, & L3



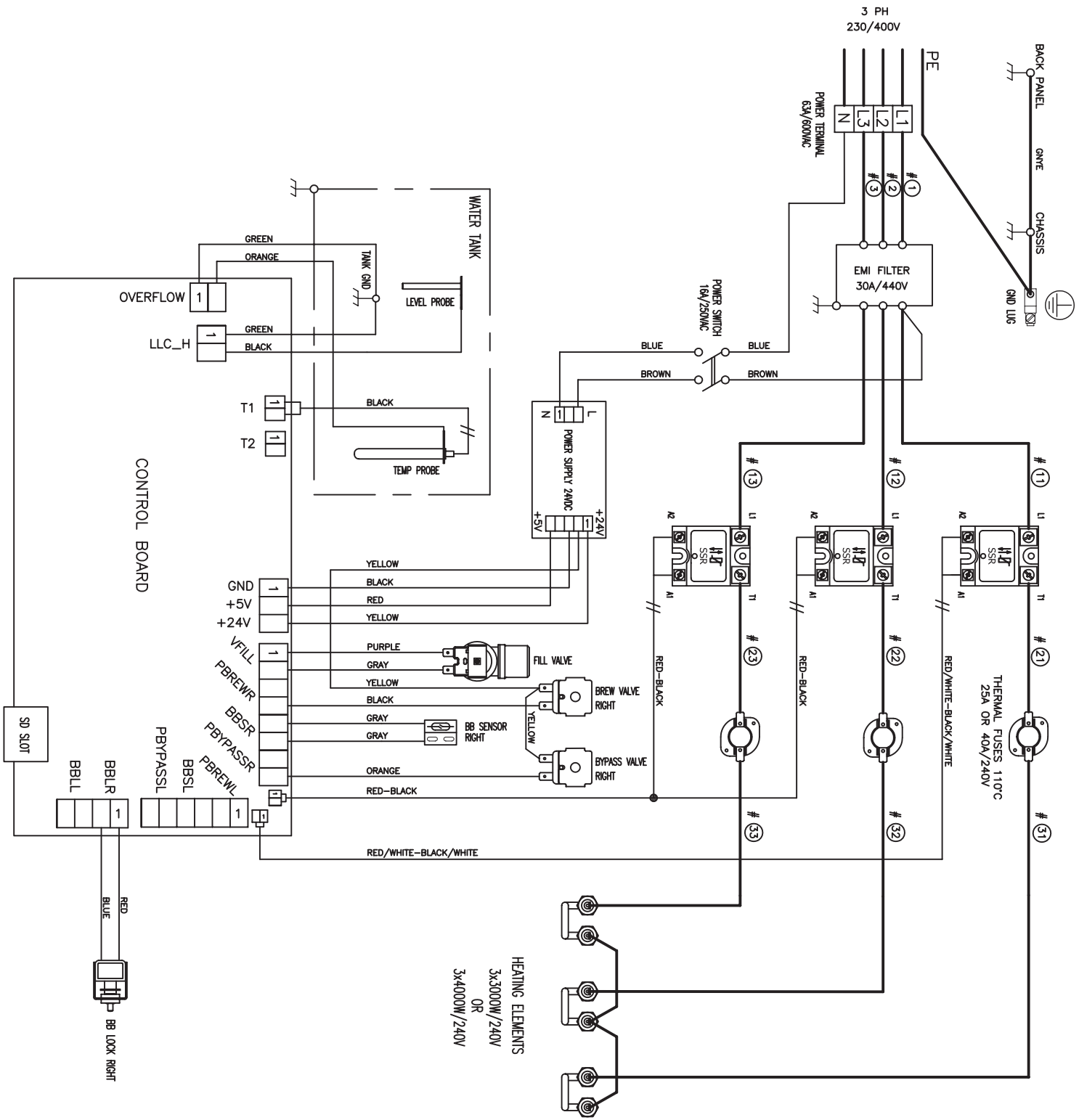
CBS_2161XTS

HEATER CONFIG.	VOLTAGE	PH	WIRES	KW	MAX AMP DRAW
2x3000W	208-240	1	2+G	4.6-6.1	22.4-25.8
3x3000W	208-240	3	3+G	7.0-9.1	19.4-22.4
2x4000W	208-240	1	2+G	6.1-8.1	29.3-33.8
3x4000W	208-240	3	3+G	9.2-12.1	25.6-29.6
2x5000W	208-240	1	2+G	7.6-10.1	36.5-42.1
3x5000W	208-240	3	3+G	11.5-15.1	32.0-36.9

TOLERANCES		REVISIONS			FETCO®		
EXCEPT AS NOTED	NO.	DATE	BY	FOOD EQUIPMENT TECHNOLOGY COMPANY 800 ROSE RD. LAKE ZURICH, IL 60047 PHONE: 847-719-3000, FAX: 847-719-3001 WWW.FETCO.COM			
DECIMAL	A	01-22-15	SZ	DWG. NAME: WIRING, CBS_2161XTS, (L1, L2, L3 + GND), 3 HEATERS, UL.			
N/A FRACTIONAL	B			DRAWN BY	SCALE	N/A	MATERIAL
N/A ANGULAR	C			CHK'D	LW	A	DRAWING NO.
N/A	D			APP'D	LW	DATE	1401.00115.00
	E					01-22-2015	

REVISIONS				
REV	DATE	ECO NO	DESCRIPTION	BY:
A	03/10/15	N/A	ORIGINAL	SZ
B	06/25/15	N/A	REVISED, THER. FUSES RELOCATION	SZ

B



CBS_2161XTS

HEATER CONFIG.	VOLTAGE	PH	WIRES	KW	MAX AMP DRAW
3x3000W	230/400	3	3L,N,PE	8.6	12.4
3x4000W	230/400	3	3L,N,PE	11.2	16.3

TOLERANCES		REVISIONS			FETCO®		
EXCEPT AS NOTED	NO.	DATE	BY	FETCO® FOOD EQUIPMENT TECHNOLOGY COMPANY 800 ROSE RD. LAKE ZURICH, IL 60047 PHONE: 847-719-3000, FAX: 847-719-3001 WWW.FETCO.COM			
DECIMAL	A	03-10-15	SZ	DWG. NAME:			
N/A FRACTIONAL	B	06-25-15	SZ	WIRING, CBS_2161XTS, (3L, N, PE), 3 HEATERS, CE			
N/A ANGULAR	C			DRAWN BY	SCALE	N/A	MATERIAL
	D			CHK'D	LW	A	DRAWING NO.
	E			APP'D	LW	DATE	1401.00118.00
						03-10-2015	