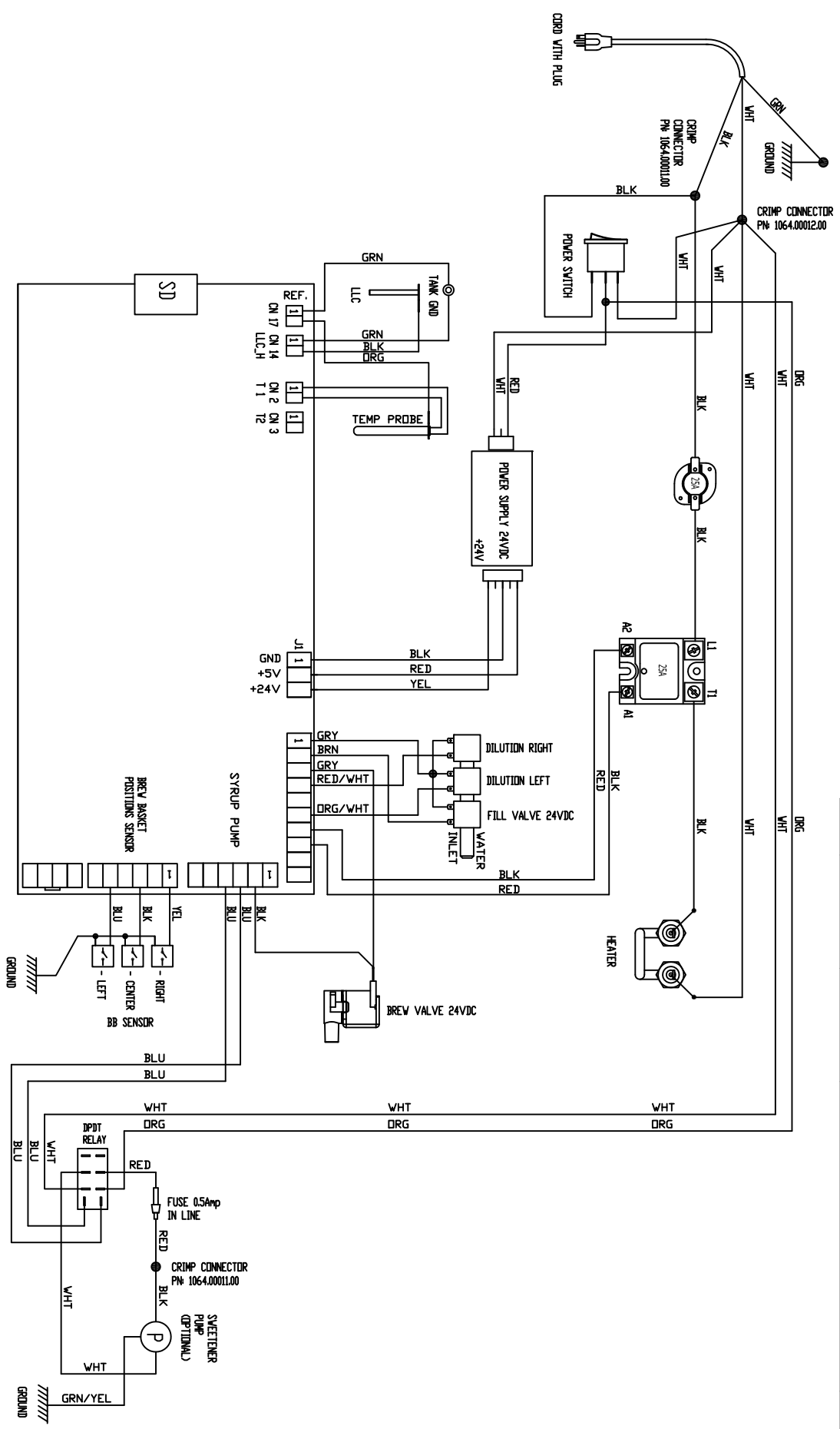


REV ISIONS

REV	DATE	ECD NO	DESCRIPTION	BY:
A	12/26/2012	N/A	ORIGINAL	AG
B	01/16/2013	N/A	REVISED CONNECTIONS	AG
C	02/15/2013	N/A	FUSE PROTECTION ADDED	AG
D	05/15/2013	N/A	SENSOR DESCRIPTION ADDED	AS



**PROPRIETARY AND CONFIDENTIAL.**  
 THE INFORMATION CONTAINED IN THIS DRAWING IS THE SOLE PROPERTY OF FETCO.  
 ANY REPRODUCTION IN WHOLE OR IN PART WITHOUT THE WRITTEN PERMISSION OF FETCO IS PROHIBITED.

TOLERANCES		REVISIONS	
EXCEPT AS NOTED	IND.	DATE	BY
DECIMAL		A	12-26-2012
FRACTIONAL		B	01-16-2013
ANGULAR		C	02-15-2013
		D	05-15-2013
		E	

**FETCO**  
 FOOD EQUIPMENT TECHNOLOGIES COMPANY  
 600 BEECH BLVD  
 LANE 2000, L 06007  
 WASHINGTON, MA 01890-0600  
 PHONE: 978-735-3000

DWG. NAME: WIRING, TBS-2121, L1, NH-GND, 1 HEATER  
 DRAWN BY: AG  
 SCALE: N/A  
 MATERIAL: N/A  
 CHECK'D: LHW  
 SIZE: A  
 APP'D: LHW  
 DATE: 12-26-2012  
 DRAWING NO: 1401.00047.00