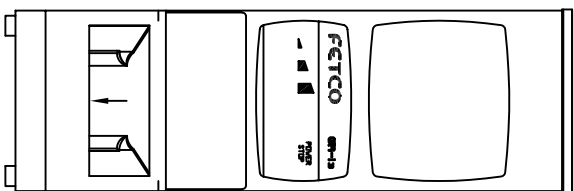
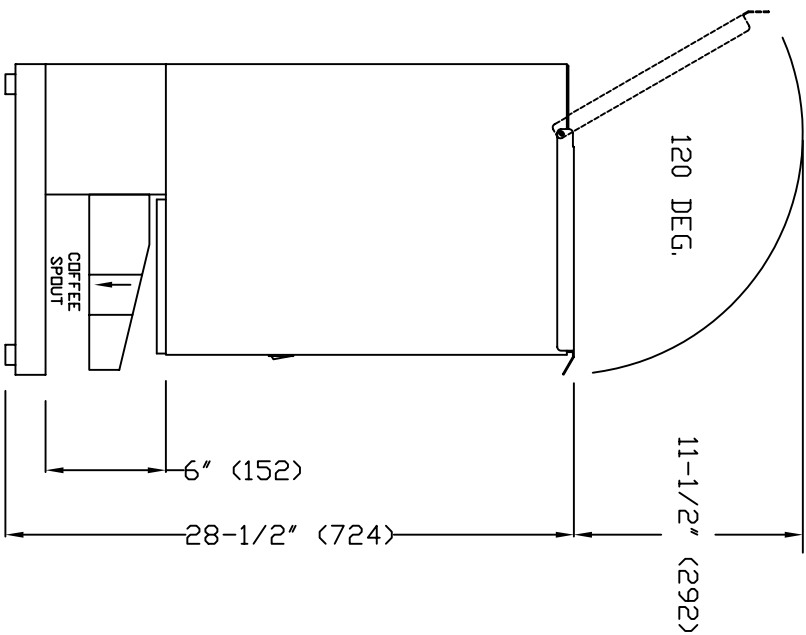


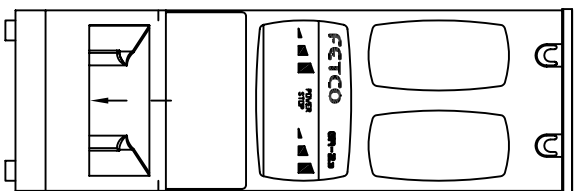
ELECTRICAL INPUT (ONE OF THE FOLLOWING) :  
120 VAC, 60HZ, 4.2 AMP, 1 PH.

TOTAL WEIGHT  
IN USE:

CHECK ELECTRICAL SPECIFICATION LABEL FOR SPECIFIC SERVICE REQUIRED.

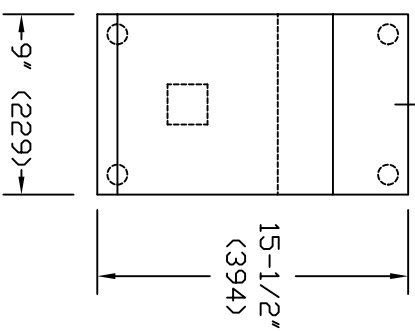


GR-1



GR-2

CORD W/PLUG  
PROVIDED



TOP VIEW  
GR-1/GR-2

FETCD

640 HEATHROW DRIVE, LINCOLNSHIRE, IL. 60069, TEL: (800) FETCD-99

MODEL:  
GR 1/GR 2

ROUGH IN SPECIFICATION

DRW. NO.

201059-002

SCALE:

1:10