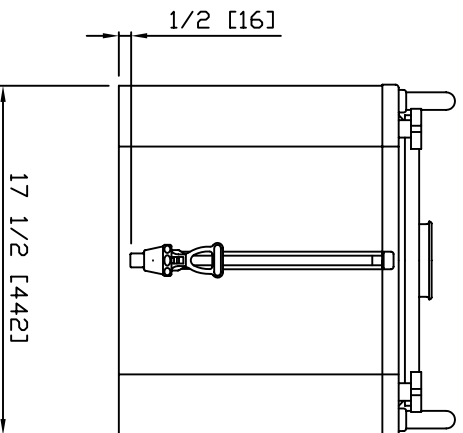
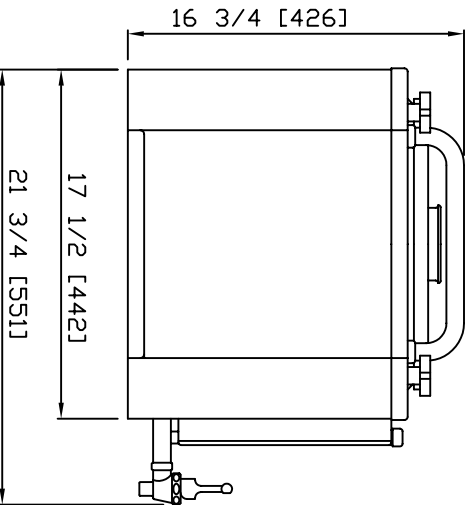
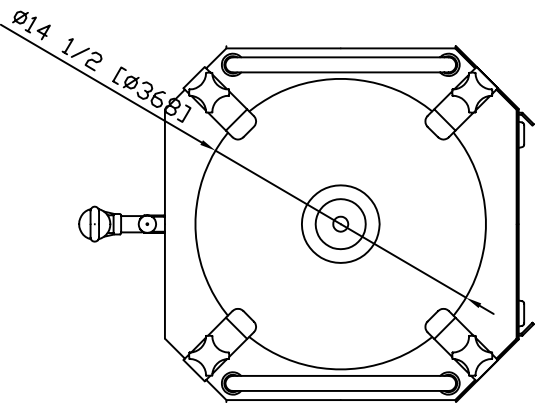


NO UTILITY CONNECTIONS REQUIRED



LUXUS 6GAL. PORTABLE BEVERAGE DISPENSER

FETCD

640 HEATHROW DRIVE, LINCOLNSHIRE, IL. 60069, TEL: (800) FETCD-99

MODEL:
LBD-6

ROUGHING-IN SPECIFICATION

DRV. NO.

201-065

SCALE:

1:10