

1.5 GALLON

MINI FROZEN BEVERAGE MACHINES

BB1 / BB2

FETCO
by **ELMECO**

BB2
Two Bowl

BB1
One Bowl

1.5 Gallon BB MiniFrozen Beverage Machine will minimize your investment costs and maximize your profits. Perfect for Italian granita, slushies, frozen or iced coffee/tea, frozen margaritas, sorbet, frozen yogurt, sangria, lemonade and much more.

BENEFITS & FEATURES



The Drive Shaft:

Each dispenser is manufactured with a "Seal-less" patent, which makes it uniquely the most hygienic & safest product of its kind on the market today.



Control Panel:

User-friendly & easy-to-read electronic controls make operation a snap and it's the simplest & easiest machine to clean and maintain.



Patented Total Cold System:

Refrigerates mix from the bottom up and assures that your beverage is perfectly frozen to the very last drop.

A Handle Locking System:

Makes our products a perfect fit for self-service locations.

FETCO
TRUSTED | RELIABLE | QUALITY

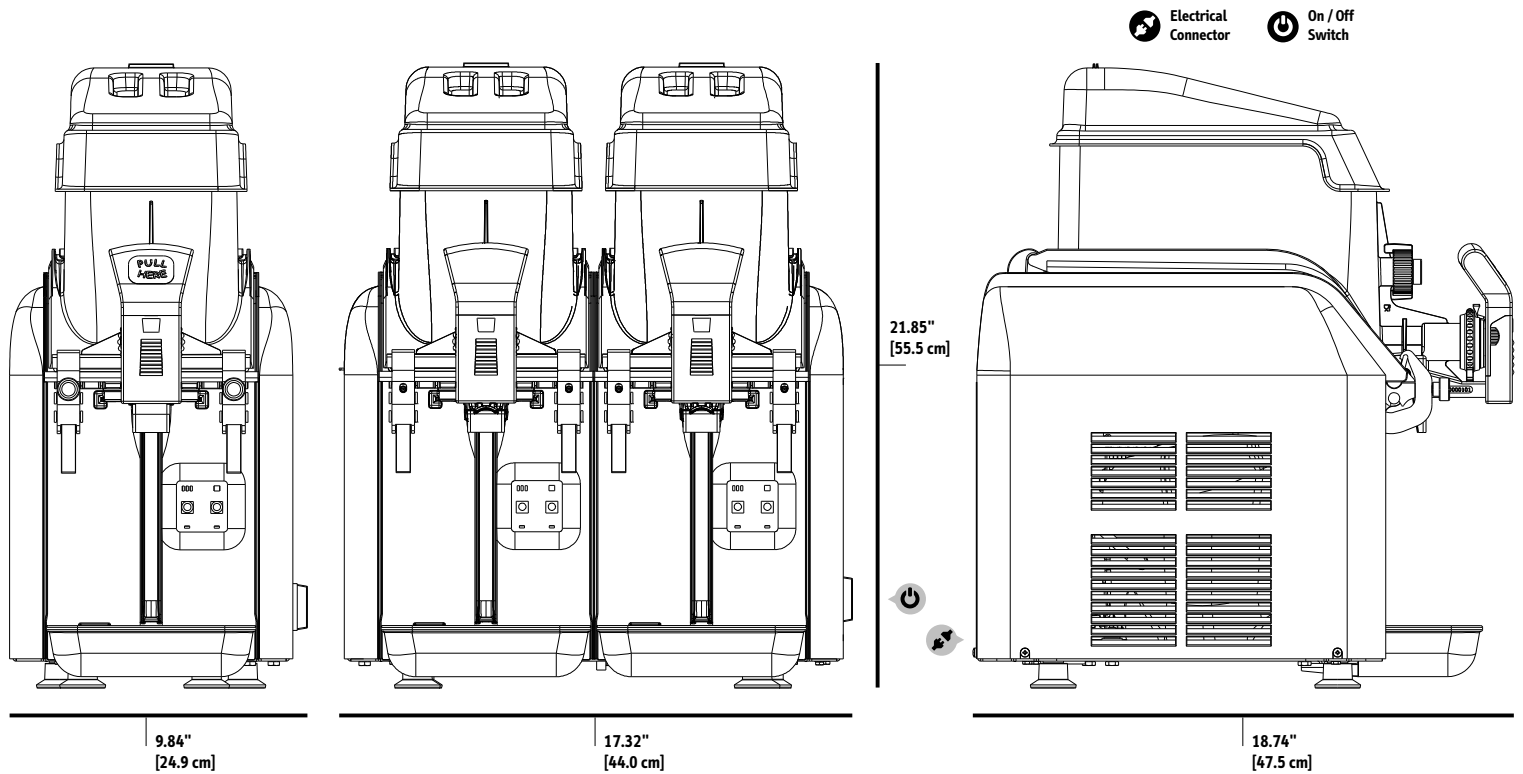
Electrical Configuration

Configuration Code	Description	Amps	Voltage	Phase	Wires	Watts	Compressor	Electrical Connection
US / CANADA								
PEL0401	Single Bowl	2.8	115 (60Hz)	1	2+G	320	0.43 HP	NEMA 5-15P
PEL0501	Double Bowl	4.7	240 (50-60Hz)	1	2+G	540	0.72 HP	NEMA 5-15P



Measurements

Model	Width	Depth	Height	Capacity	Empty Weight	Filled Weight
BB1	9.84" [24.9 cm]	18.74" [47.5 cm]	21.85" [55.5 cm]	1.58 G [6.0 l]	68 lbs [30.8 kg]	81.2 lbs [36.8 kg]
BB2	17.32" [44.0 cm]	18.74" [47.5 cm]	21.85" [55.5 cm]	2 x 1.58 G [2 x 6.0 l]	114 lbs [51.7 kg]	140.4 lbs [63.6 kg]



Information

fetco.com
orders@fetco.com

847.719.3000
 1.800.338.2699 USA
 847.719.3001

Food Equipment Technologies Co.
 600 Rose Road
 Lake Zurich, IL 60047
 USA