

# COFFEE BREWING SYSTEMS

## CBS-1221 Plus Airpot Brewer

Shown with D080 2.2 Liter Airpot



### PLUG AND PLAY OPERATION

Three batch buttons pre-programmed at the factory. If desired the USB port can be used to upload and download recipes.



### CASCADING SPRAY DOME

Patented design provides even saturation of the coffee bed for maximum extraction. Lime resistant design for less service calls.

### COMMONALITY OF PARTS

Keep inventory and service costs down with interchangeable parts between other FETCO brewers.

### TRUE BREW TIME

Automatically manage net brew time independent from pre-wet and pulsing functions for easy adjustment of coffee extraction.

## DISPENSERS

### CBS-1221 Plus Airpot Brewer



## DISPENSERS

**D037**

1.9 Liter  
Tall Server

NSF



**D078**

2.2 Liter  
Glass Lined  
Pump Lever Airpot

NSF



**D080**

2.2 Liter  
Pump Lever Airpot

NSF



**D081**

2.5 Liter  
Pump Lever Airpot

NSF



**D041**

3.0 Liter  
Pump Lever Airpot

NSF



All dispensers **SOLD SEPARATELY**.

# ACCESSORIES

## CBS-1221 Plus Airpot Brewer

### ACCESSORIES, BASKETS AND FILTERS

Brewer SKU	Voltage	Brew Basket	Coffee Capacity	Filter Size	Filter SKU	Filter/Case
<b>NORTH AMERICA</b>						
E1221US-1A117-PM001	120	Standard Plastic	3.5 oz/100 g	10 5/8" x 4 1/2"	F008	1000/cs
E1221US-1A117-KM001	120	Large Plastic	6 oz/170 g	13" x 5"	F002	500/cs
E1221US-1X117-PM001	Dual	Standard Plastic	3.5 oz/100 g	10 5/8" x 4 1/2"	F008	1000/cs
E1221US-1X117-KM001	Dual	Large Plastic	6 oz/170 g	13" x 5"	F002	500/cs
<b>INTERNATIONAL</b>						
E1221IN-1B130-PM005	200-240	Standard Plastic	3.5 oz/100 g	10 5/8" x 4 1/2"	F008	1000/cs
E1221NM-1X117-PM001	Dual	Standard Plastic	3.5 oz/100 g	10 5/8" x 4 1/2"	F008	1000/cs
E1221CE-1B130-PM005	230	Standard Plastic	3.5 oz/100 g	10 5/8" x 4 1/2"	F008	1000/cs
E1221CE-1B130-PM006	230	Standard Plastic	3.5 oz/100 g	10 5/8" x 4 1/2"	F008	1000/cs

**B024230BN2**  
10-5/8" x 4-1/2"  
Small Plastic  
Basket



**B014218BN2BK**  
13" x 5"  
Large Plastic  
Basket



**F002**  
13" x 5"  
Paper Filters



**B025230B1**  
10-5/8" x 4-1/2"  
Small Metal  
Basket



**B003218B1**  
13" x 5"  
Large Metal  
Basket



**F008**  
10-5/8" x 4-1/2"  
Paper Filters



Contact Customer Service or your Sales Person for more options.

### WATER FILTRATION SYSTEM

Filtration System	SKU	Part	Rated Capacity	Working Pressure	Weight
Everpure®	A039	In-Line System	113,563 liters	10-125 psi [0.7-8.6 bar], non-shock	6.0 lbs / 2.7 kg
Everpure®	A075	Replacement Cartridge	113,563 liters	10-125 psi [0.7-8.6 bar], non-shock	6.0 lbs / 2.7 kg
BWT Bestmax	A138	In-Line System	3,002 liters	29-116 psi [2-8 bar], non-shock	11.0 lbs / 5.0 kg
BWT Bestmax	A139	Replacement Cartridge	3,002 liters	29-116 psi [2-8 bar], non-shock	11.0 lbs / 5.0 kg
BWT Bestmax	A140	In-Line System	4,562 liters	29-116 psi [2-8 bar], non-shock	11.0 lbs / 5.0 kg
BWT Bestmax	A141	Replacement Cartridge	4,562 liters	29-116 psi [2-8 bar], non-shock	11.0 lbs / 5.0 kg

**EVERPURE®**  
In-Line Water  
Filtration System



**SET INCLUDES:** 1ea. commercial quality corrosion resistant filter head 1ea. taste and odor filter cartridge (FETCO® #A075) / 1ea. 3/8" x 4' connection hose / 1 set — mounting bracket and hardware.

**BWT BESTMAX**  
In-Line Water  
Filtration System



**SET INCLUDES:** 1ea. filter cartridge / 1ea. universal filter head / 1ea. wall mounting bracket Braided hose supplies 3/8" and 3/4" compression, in 24" or 48" lengths

- Recommended for large-sized operations
- Taste and odor filter for extremely turbid (cloudy) water
- Granular-activated carbon reduces sediment and chlorine
- Quick-disconnect style head/cartridge design cartridge for effortless replacement
- Durable, corrosion-resistant head includes built-in shutoff valve
- Recommended for small- to medium-sized operations
- Carbonate hardness removal prevents scale deposits and retains minerals
- Granular-activated carbon reduces sediment and chlorine
- Quick-disconnect style head/cartridge design cartridge for effortless replacement
- Durable, corrosion-resistant head includes built-in shutoff valve
- Four bypass settings allows for different water qualities and product preferences

# TECHNICAL SPECIFICATIONS

## CBS-1221 Plus Airpot Brewer

### ELECTRICAL

Brewer SKU	Voltage	Heater Config.	Phase	Wires	kW	Connection	Max Amp Draw	[Gal] / [L] Hour	Certification
<b>NORTH AMERICA</b>									
E1221US-1A117-PM001	120	1 x 1.7 kW	1	2+G	1.7	NEMA 5-15P	14.7	4.4 / 16.7	NSF cULus
E1221US-1A117-KM001	120	1 x 1.7 kW	1	2+G	1.7	NEMA 5-15P	14.7	4.4 / 16.7	NSF cULus
E1221US-1X117-PM001 DUAL VOLTAGE	120	1 x 1.7 kW	1	2+G	1.7	NEMA 5-15P	14.7	4.4 / 16.7	NSF cULus
	208-240	1 x 3.0 kW	1	2+G	2.5-3.0	Terminal Block	11.3-13.0	7.0 / 26.5	
E1221US-1X117-KM001 DUAL VOLTAGE	120	1 x 1.7 kW	1	2+G	1.7	NEMA 5-15P	14.7	4.4 / 16.7	NSF cULus
	208-240	1 x 3.0 kW	1	2+G	2.5-3.0	Terminal Block	11.3-13.0	7.0 / 26.5	
<b>INTERNATIONAL</b>									
E1221IN-1B130-PM005	200-240	1 x 3.0 kW	1	2+G	2.1-3.0	CEE 7/7	10.9-13.0	4.4 / 16.7	NSF cULus
E1221NM-1X117-PM001 DUAL VOLTAGE	100-120	1 x 1.7 kW	1	2+G	1.2-1.7	NEMA 5-15P	12.3-14.7	4.4 / 16.7	NSF NOM
	200-240	1 x 3.0 kW	1	2+G	2.1-3.0	Terminal Block	10.9-13.0	7.0 / 26.5	
E1221CE-1B130-PM005	230	1 x 3.0 kW	1	2+G	2.8	CEE 7/7	12.5	7.0 / 26.5	NSF CE
E1221CE-1B130-PM006	230	1 x 3.0 kW	1	2+G	2.8	UK1-13P	12.5	7.0 / 26.5	NSF CE

### WATER

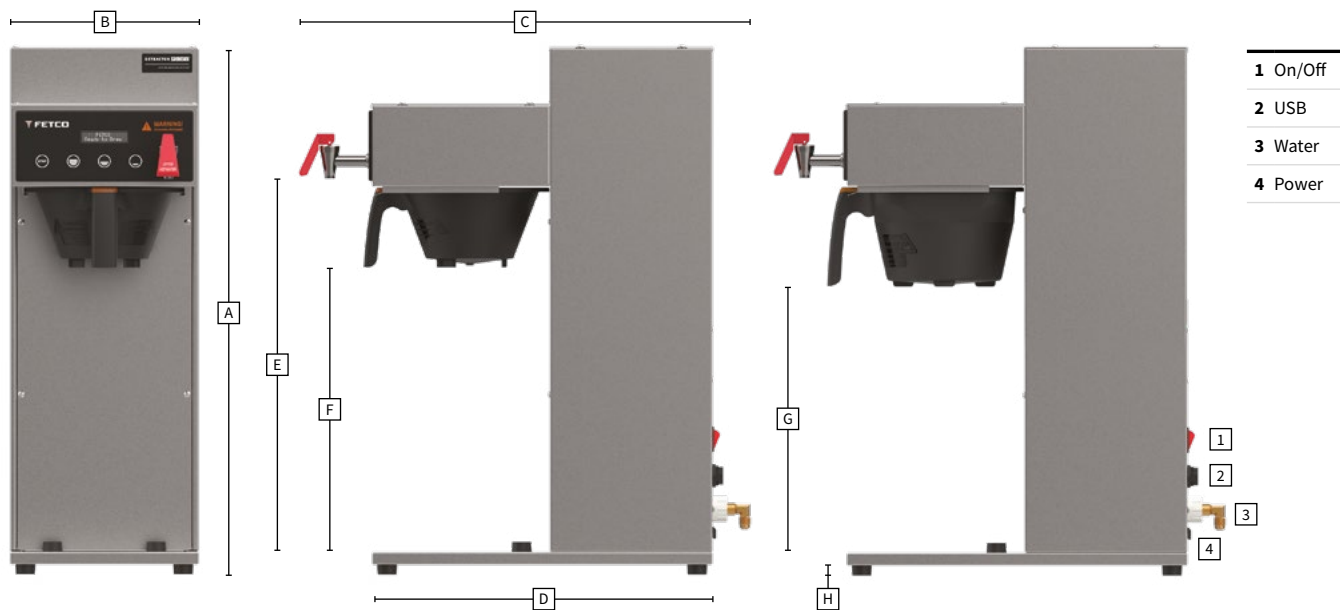
Water Inlet	Water Pressure [psig] / [Bar]	Minimum Flow Rate [gpm] / [L/min]	Tank Capacity [Gal] / [L]
1/4" Male Flare	20-75 / 1.37-5.17	1.50 / 5.68	2.66 / 10.07

### CUPS PER HOUR

Cup size	8 [oz] / 236 [ml]	12 [oz] / 355 [ml]	16 [oz] / 473 [ml]	20 [oz] / 591 [ml]
No. Cups per hour <sup>1</sup>	112	75	56	45

### DIMENSIONS & WEIGHT

	Height (A)	Width (B)	Depth (C)	Depth (D)	Faucet Clearance (E)	Small Brew Basket Clearance (F)	Large Brew Basket Clearance (G)	Legs Height (H)	Empty Weight [lbs] / [kg]	Filled Weight [lbs] / [kg]
<b>Product</b>	26.00" 66.04 cm	9.25" 23.50 cm	22.25" 56.52 cm	16.75" 42.55 cm	19.50" 50.00 cm	14.00" 35.56 cm	13.00" 33.02 cm	0.5" 1.27 cm	29 lbs 13.2 kg	52 lbs 23.6 kg
<b>Shipping</b>	31.50" 80.01 cm	13.00" 33.02 cm	24.75" 62.87 cm	N/A	N/A	N/A	N/A	N/A	35 lbs 15.9 kg	N/A



1 Based on maximum power configuration



FAX  
+1.847.719.3001