



EXTRACTOR COFFEE BREWER

CBS 2060 Series

CBS-2061e

3 Gallon Brewer



With this workhorse, the latest addition to our technologically advanced EXTRACTOR® series, you can have high volume beverage service at your fingertips. This digitally operated unit is a completely mobile solution for busy locations. It comes with the patented Cascading Spray Dome™, which helps deliver a consistent, perfectly balanced cup of coffee every time. The stainless steel gourmet-sized brew basket is designed for heavier brew ratios. You can brew directly into our 3.0 gallon LUXUS® TPD Dispensers.



Cascading Spray Dome™ technology ensures perfect extraction of coffee flavor.



Pulse-Brew System delivers intermittent pulses of water to ensure even saturation of the coffee bed for enhanced extraction.



Digital Interface makes it easy to program and run brewer. Settings can be customized to your recipe.

Pre-Wet Cycle allows you to control the length of time water is in contact with the coffee before the brew cycle to ensure optimum flavor.

Bypass Feature redirects water directly into the dispenser, bypassing the coffee grounds in the brew basket, to provide your custom water-to-coffee ratio.

Brew Time & Brew Volume can be programmed separately to ensure a perfectly-balanced batch, no matter how much coffee you brew at once.



Drip Delay lets you set the time between the end of the brew cycle and the unlocking of the brew basket, for increased safety.

FETCO

DRIVEN TO INNOVATION

Water Specification

Water Inlet 3/8" Male Flare	Minimum Flow Rate 3 gpm [11.3 lpm]	Water Pressure 20-75 psig [139-517 kPa]
--------------------------------	---------------------------------------	--

Electrical Configuration

Configuration Code	Heater Configuration	Voltage	Phase	Wires	KW	Electrical Connection	Max Amp Draw	Gallon[Liter]/Hour
DOMESTIC & CANADA								
E61016	2 x 3.0 kW	120/208-240	1	3+G	4.6-6.1	Hardwired	22.1-25.5	11.2-14.9 [42.0-56.0] ⁽¹⁾
E61026	2 x 4.0 kW	120/208-240	1	3+G	6.1-8.1	Hardwired	29.3-33.8	14.9-19.8 [56.0-75.0] ⁽¹⁾
E61036	3 x 3.0 kW	120/208-240	3	4+G	6.9-9.1	Hardwired	19.5-22.4	16.8-22.2 [64.0-84.0] ⁽¹⁾
E61046	3 x 4.0 kW	120/208-240	3	4+G	9.1-12.1	Hardwired	25.8-28.9	22.2-29.5 [84.0-112.0] ⁽¹⁾
E61146	3 x 4.0 kW	480	3	3+G	12.1	Hardwired	14.9	29.5 [112.0] ⁽¹⁾
EXPORT								
E61076	3 x 3.0 kW	230/400	3	4+G	6.4	Hardwired	9.4	15.6 [59.0] ⁽¹⁾
E61086	3 x 4.0 kW	230/400	3	4+G	8.4	Hardwired	12.4	20.5 [78.0] ⁽¹⁾
E61126	3 x 3.0 kW	240/415	3	3+G	6.8	Hardwired	9.8	16.6 [63.0] ⁽¹⁾
E61136	3 x 4.0 kW	240/415	3	3+G	9.0	Hardwired	12.9	22.0 [83.0] ⁽¹⁾

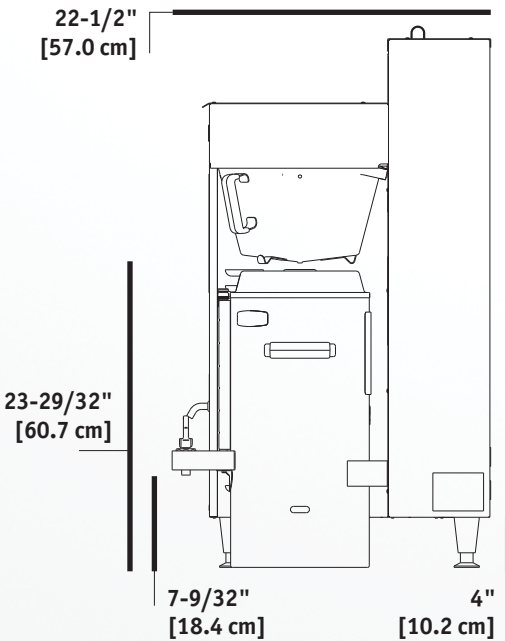
Important

(1) Based on standard factory settings: 4.5 minute brew time; 0% prewet; 200°F water.

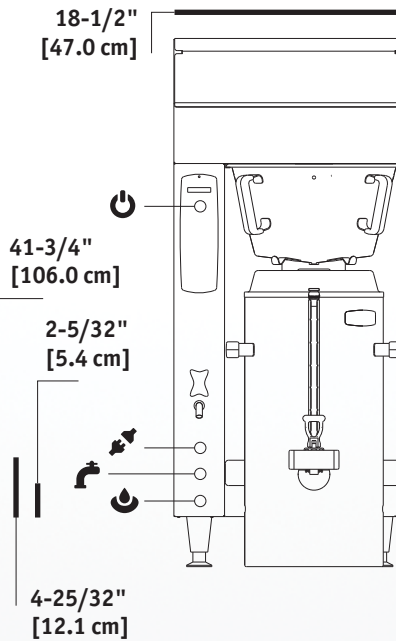
Measurements

Height 41 3/4" [106.0 cm]	Width 18 3/8" [46.0 cm]	Depth 24" [61.0 cm]	Empty Weight 91 lbs [41.3 kg]	Filled Weight 163 lbs [74.0 kg]	Shipping Weight 99 lbs [45.0 kg]
------------------------------	----------------------------	------------------------	----------------------------------	------------------------------------	-------------------------------------

SIDE VIEW



FRONT VIEW

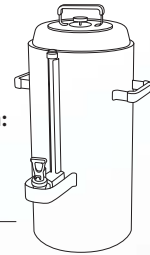


SYMBOLS

- Electrical Connector
- On / Off Switch
- Tank Drain
- Water Inlet

DISPENSERS
Brewer can be used with:

TPD-30 Thermal Dispenser



Information

www.fetco.com

+1 847.719.3000
1.800.338.2699 USA
+1 847.719.3001

Food Equipment Technologies Co.
600 Rose Road
Lake Zurich, IL 60047
USA