



# EXTRACTOR COFFEE BREWER

## CBS 2050 Series

### CBS-2052e

Twin 1.5 Gallon Brewer



The CBS-2052e twin brewer is easy to program and simple to operate. This unit comes standard with our patented Cascading Spray Dome™, which helps deliver a consistent, perfectly balanced cup of coffee every time. The pulse-brew intermittent shower brewing system lets you control the length of time the water is in contact with the ground coffee for optimal extraction according to your recipe.

Shown with 1.5 gallon LUXUS® Thermal Dispenser (L3D-15). The 1.5 Gallon LUXUS® Thermal Server (L3S-15) and the 1.5 Gallon LUXUS® Thermal Dispenser (TPD-15) are available and sold separately.



**Cascading Spray Dome™** technology ensures perfect extraction of coffee flavor.

**Pulse-Brew System** delivers intermittent pulses of water to ensure even saturation of the coffee bed for enhanced extraction.



**Digital Interface** makes it easy to program and run brewer. Settings can be customized to your recipe.

**Pre-Wet Cycle** allows you to control the length of time water is in contact with the coffee before the brew cycle to ensure optimum flavor.



**Bypass Feature** redirects water directly into the dispenser, bypassing the coffee grounds in the brew basket, to provide your custom water-to-coffee ratio.

**Brew Time & Brew Volume** can be programmed separately to ensure a perfectly-balanced batch, no matter how much coffee you brew at once.



**Drip Delay** lets you set the time between the end of the brew cycle and the unlocking of the brew basket, for increased safety.



# FETCO

DRIVEN TO INNOVATION

## Water Specification

Water Inlet 3/8" Male Flare	Minimum Flow Rate 3 gpm [11.3 lpm]	Water Pressure 20-75 psig [139-517 kPa]
--------------------------------	---------------------------------------	--

## Electrical Configuration

Configuration Code	Heater Configuration	Voltage	Phase	Wires	KW	Electrical Connection	Max Amp Draw	Gallon[Liter]/Hour
<b>DOMESTIC &amp; CANADA</b>								
E52016	2 x 3.0 kW	120/208-240	1	3+G	4.6-6.1	Hardwired	22.4-25.8	11.5-15.5 [43.7-58.9] <sup>(1)</sup>
	3 x 3.0 kW	120/208-240	3	4+G	6.9-9.1	Hardwired	19.5-22.5	17.4-23.0 [65.9-87.0] <sup>(1)</sup>
E52026	2 x 5.0 kW	120/208-240	1	3+G	7.6-10.1	Hardwired	36.9-42.5	19.3-25.7 [73.1-97.3] <sup>(1)</sup>
	3 x 5.0 kW	120/208-240	3	4+G	11.4-15.1	Hardwired	32.0-36.9	29.0-38.4 [109.4-145.3] <sup>(1)</sup>
<b>EXPORT</b>								
E52036	2 x 3.0 kW	220-240	1	2+G	5.1-6.1	Hardwired	23.7-25.8	13.4-15.5 [50.9-58.9] <sup>(1)</sup>

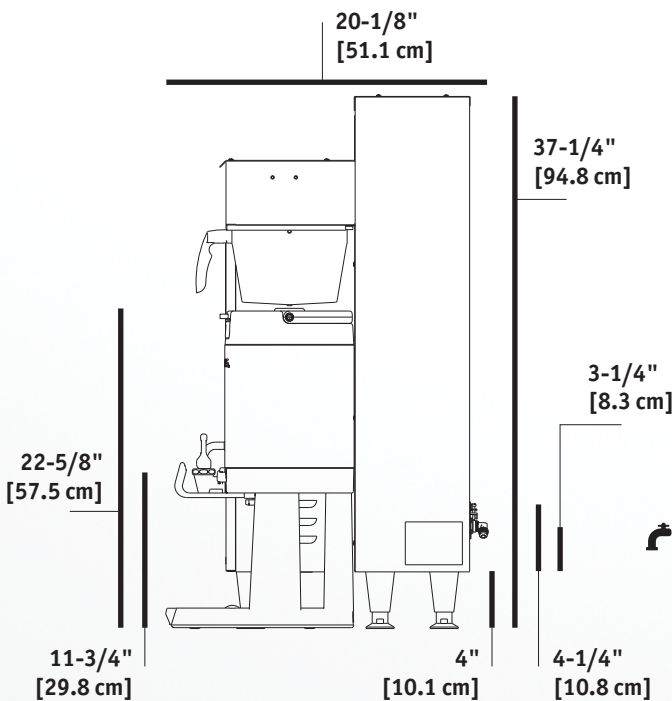
## Important

(1) Based on standard factory settings: 4.0 minute brew time; 0% prewet; 200°F water.

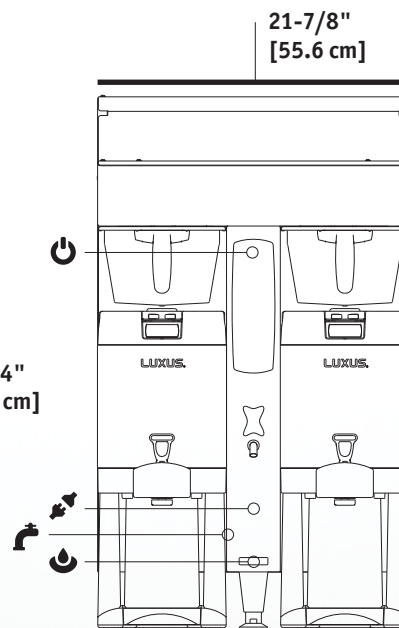
## Measurements

Height 37 1/4" [94.6 cm]	Width 21 7/8" [55.6 cm]	Depth 20 1/8" [51.1 cm]	Empty Weight 84 lbs [38.1 kg]	Filled Weight 181 lbs [82.0 kg]	Shipping Weight 92 lbs [47.1 kg]
-----------------------------	----------------------------	----------------------------	----------------------------------	------------------------------------	-------------------------------------

### SIDE VIEW



### FRONT VIEW



### SYMBOLS

- Electrical Connector
- On / Off Switch
- Tank Drain
- Water Inlet

### DISPENSERS

Brewer can be used with:

L3S-15 Thermal Dispenser with Serving Station L3S-15-20

L3D-15 Thermal Dispenser

TPD-15 Thermal Dispenser



FETCO® is an active member of



## Information

[www.fetco.com](http://www.fetco.com)

+1 847.719.3000  
1.800.338.2699 USA  
+1 847.719.3001

Food Equipment Technologies Co.  
600 Rose Road  
Lake Zurich, IL 60047  
USA