



EXTRACTOR COFFEE BREWER

CBS 2040 Series

CBS-2041e

1 Gallon Brewer



Our 1 gallon CBS-2041e single coffee brewer makes great-tasting coffee with the touch of a button. This unit comes complete with our patented Cascading Spray Dome™, which helps deliver a consistent, perfectly balanced cup of coffee every time. You can brew directly into our self-serve LUXUS® Thermal dispensers and serve hot, fresh, aromatic coffee for hours.

Shown with the 1.0 Gallon LUXUS® Thermal Dispenser (L3D-10). The 1.0 Gallon LUXUS® Thermal Server (L3S-10) is also available and both are sold separately.



Cascading Spray Dome™ technology ensures perfect extraction of coffee flavor.

Pulse-Brew System delivers intermittent pulses of water to ensure even saturation of the coffee bed for enhanced extraction.



Digital Interface makes it easy to program and run brewer. Settings can be customized to your recipe.

Pre-Wet Cycle allows you to control the length of time water is in contact with the coffee before the brew cycle to ensure optimum flavor.



Bypass Feature redirects water directly into the dispenser, bypassing the coffee grounds in the brew basket, to provide your custom water-to-coffee ratio.

Brew Time & Brew Volume can be programmed separately to ensure a perfectly-balanced batch, no matter how much coffee you brew at once.



Drip Delay lets you set the time between the end of the brew cycle and the unlocking of the brew basket, for increased safety.



FETCO
DRIVEN TO INNOVATION

Water Specification

Water Inlet 3/8" Male Flare	Minimum Flow Rate 1 gpm [3.8 lpm]	Water Pressure 20-75 psig [139-517 kPa]
--------------------------------	--------------------------------------	--

Electrical Configuration

Configuration Code	Heater Configuration	Voltage	Phase	Wires	KW	Electrical Connection	Max Amp Draw	Gallon[Liter]/Hour
DOMESTIC & CANADA								
E41016 ⁽¹⁾	1 x 2.3 kW	120	1	2+G	2.4	5-20P	19.7	5.8 [22.0] ⁽²⁾
	2 x 2.3 kW	120/208-240	1	3+G	3.6-4.7	Hardwired	17.1-19.7	9.0-11.8 [34.0-44.7] ⁽²⁾
E41036 ⁽¹⁾	1 x 1.7 kW	120	1	2+G	1.8	5-20P	14.7	4.4 [16.7] ⁽²⁾
	2 x 1.7 kW	120/208-240	1	3+G	2.7-3.5	Hardwired	12.8-14.7	6.7-8.8 [25.0-33.0] ⁽²⁾
E41046 ⁽¹⁾	1 x 1.5 kW	120	1	2+G	1.6	5-15P	13.0	3.9 [14.8] ⁽²⁾
	2 x 1.5 kW	120/208-240	1	3+G	2.4-3.1	Hardwired	11.3-13.0	6.1-7.7 [23.1-29.0] ⁽²⁾
EXPORT								
E41026	1 x 3.0 kW	220-240	1	2+G	2.6-3.1	Country specific	12.0-13.0	6.4-7.7 [24.3-29.3] ⁽²⁾

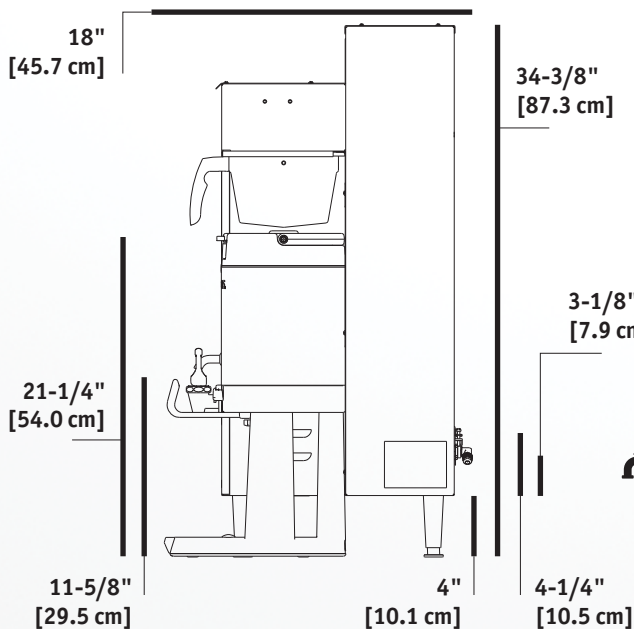
Important

- (1) Can be connected to 120 VAC (Factory Setting) or 120/208-240 VAC.
- (2) Based on standard factory settings: 4.0 minute brew time; 0% prewet; 200°F water.

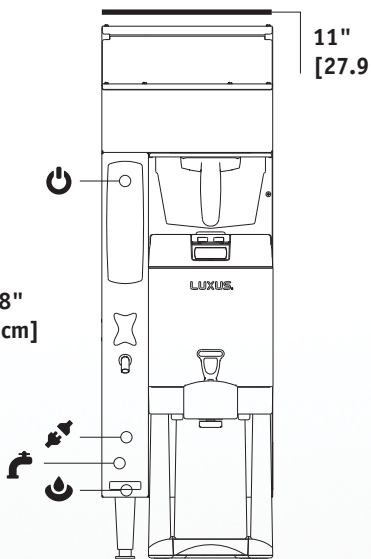
Measurements

Height 34 3/8" [87.3 cm]	Width 11" [27.9 cm]	Depth 18" [45.7 cm]	Empty Weight 46 lbs [21.0 kg]	Filled Weight 81 lbs [36.8 kg]	Shipping Weight 52 lbs [23.6 kg]
-----------------------------	------------------------	------------------------	----------------------------------	-----------------------------------	-------------------------------------

SIDE VIEW



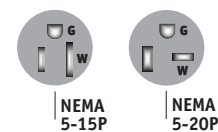
FRONT VIEW



SYMBOLS

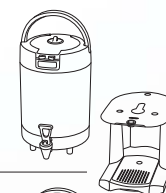
- Electrical Connector
- On / Off Switch
- Tank Drain
- Water Inlet

NEMA PLUGS CONFIGURATIONS

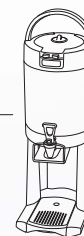


DISPENSERS

Brewer can be used with:
L3S-10 Thermal Dispenser
with Serving Station L3S-10



L3D-10 Thermal Dispenser



FETCO® is an active member of



Information

www.fetco.com

+1 847.719.3000
1.800.338.2699 USA
+1 847.719.3001

Food Equipment Technologies Co.
600 Rose Road
Lake Zurich, IL 60047
USA