



# EXTRACTOR COFFEE BREWER

## CBS 2030 Series

### CBS-2032e

Twin 1 Gallon Brewer



The CBS-2032e is still as versatile and reliable as the 2031e, but with twice the brewing power. These units are perfect for small- to medium-sized operations. It comes standard with our patented Cascading Spray Dome™, which helps deliver a consistent, perfectly balanced cup of coffee every time. You can use the lightweight, portable airpots or our LUXUS® Thermal Servers to keep coffee hot for hours.

Brewer shown with the 1.0 Gallon LUXUS® Thermal Server (L3S-10). The 3.0 Liter Stainless Steel Lined Lever Airpot and the 1.9 Liter Stainless Steel Lined Server are also available. All are sold separately.



**Cascading Spray Dome™** technology ensures perfect extraction of coffee flavor.

**Pulse-Brew System** delivers intermittent pulses of water to ensure even saturation of the coffee bed for enhanced extraction.



**Digital Interface** makes it easy to program and run brewer. Settings can be customized to your recipe.

**Pre-Wet Cycle** allows you to control the length of time water is in contact with the coffee before the brew cycle to ensure optimum flavor.



**Bypass Feature** redirects water directly into the dispenser, bypassing the coffee grounds in the brew basket, to provide your custom water-to-coffee ratio.

**Brew Time & Brew Volume** can be programmed separately to ensure a perfectly-balanced batch, no matter how much coffee you brew at once.



**Drip Delay** lets you set the time between the end of the brew cycle and the unlocking of the brew basket, for increased safety.

# FETCO

DRIVEN TO INNOVATION

## Water Specification

Water Inlet 3/8" Male Flare	Minimum Flow Rate 1/2 gpm [1.9 lpm]	Water Pressure 20-75 psig [139-517 kPa]
--------------------------------	--	--

## Electrical Configuration

Configuration Code	Heater Configuration	Voltage	Phase	Wires	KW	Electrical Connection	Max Amp Draw	Gallon[Liter]/Hour
<b>DOMESTIC &amp; CANADA</b> E32015	2 x 3.0 kW	120/208-240	1	3+G	4.6-6.1	Hardwired	22.4-25.8	11.5-15.4 [43.7-58.5] <sup>(1)</sup>
<b>EXPORT</b> E32035	2 x 3.0 kW	220-240	1	3+G	5.1-6.1	Hardwired	23.7-25.8	12.9-15.4 [49.0-58.5] <sup>(1)</sup>

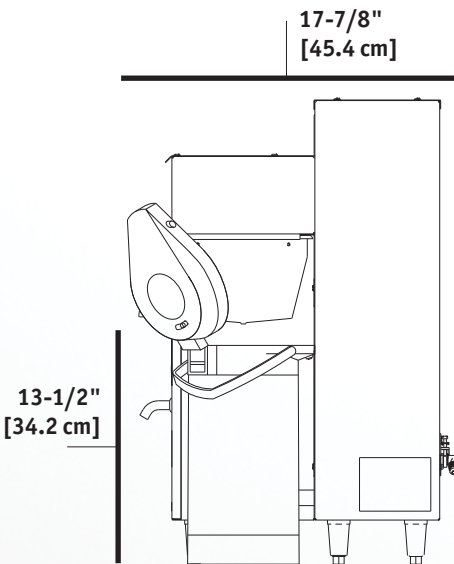
## Important

(1) Based on standard factory settings: 4.0 minute brew time; 0% prewet; 200°F water.

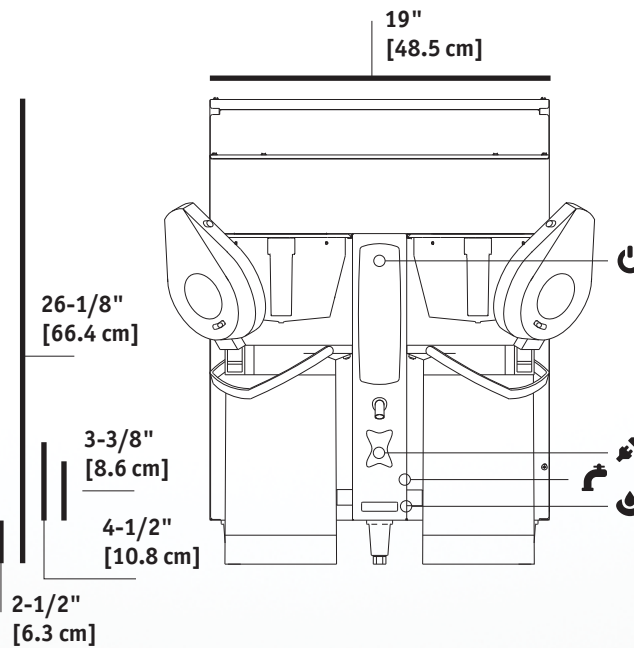
## Measurements

Height 26 1/8" [66.4 cm]	Width 19" [48.3 cm]	Depth 17 7/8" [45.4 cm]	Empty Weight 49 lbs [22.2 kg]	Filled Weight 94 lbs [42.7 kg]	Shipping Weight 60 lbs [27.2 kg]
-----------------------------	------------------------	----------------------------	----------------------------------	-----------------------------------	-------------------------------------

### SIDE VIEW



### FRONT VIEW



### SYMBOLS

- Electrical Connector
- On / Off Switch
- Tank Drain
- Water Inlet

### DISPENSERS

Brewer can be used with:

L3S-10 Thermal Dispenser with Serving Station L3S-10

1.9 Liter Stainless Steel Lined Server

3.0 Liter Stainless Steel Lined Lever Airpot



FETCO® is an active member of



## Information

[www.fetco.com](http://www.fetco.com)

+1 847.719.3000  
1.800.338.2699 USA  
+1 847.719.3001

Food Equipment Technologies Co.  
600 Rose Road  
Lake Zurich, IL 60047  
USA