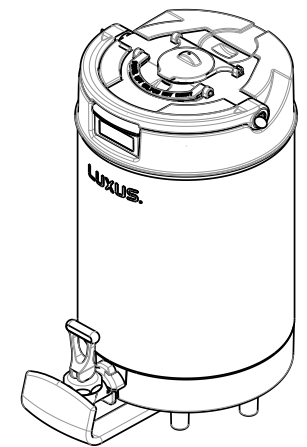
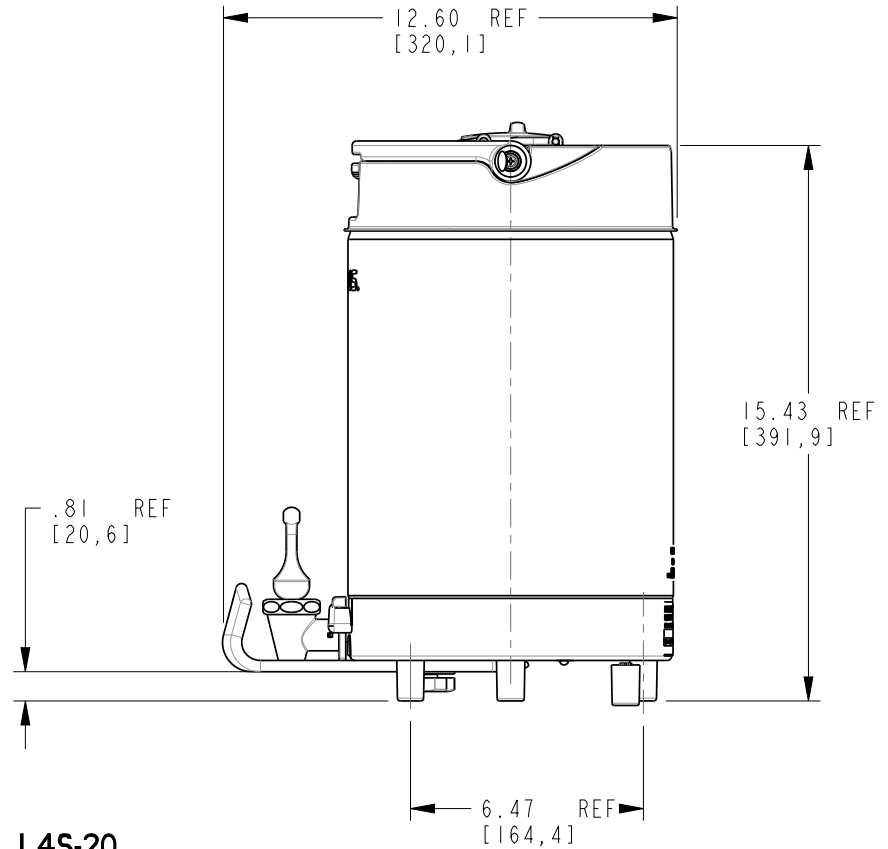
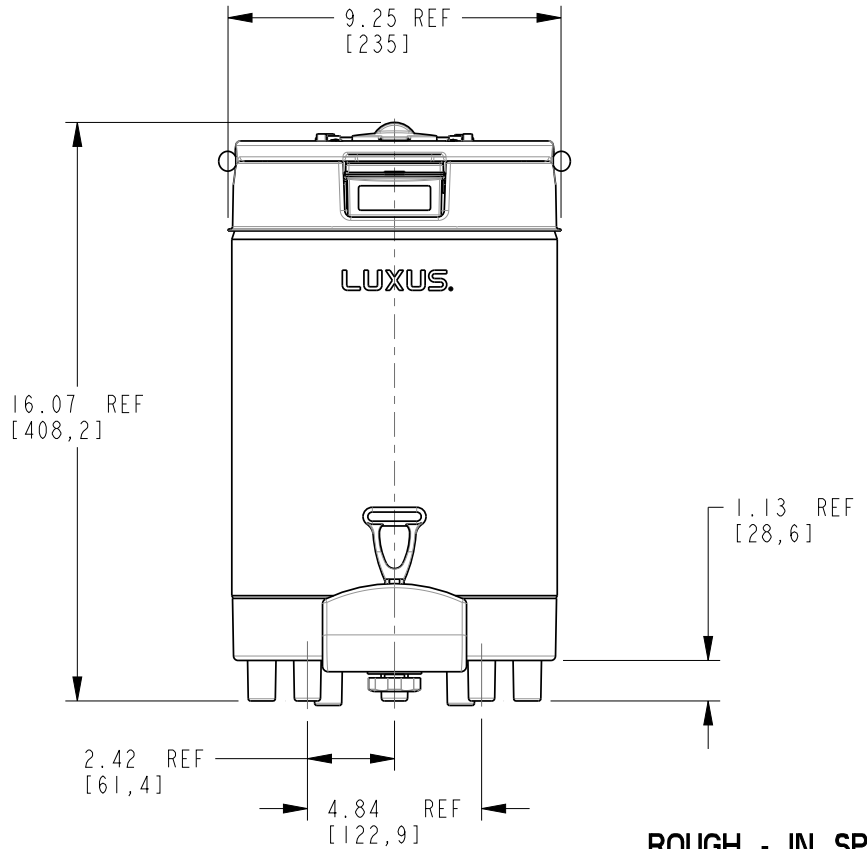


NOTE:
DIMENSION IN PARETHESIS ARE METRIC



SCALE 0.125



ROUGH - IN SPECIFICATION, L4S-20
FETCO P/N: 1201.00031.00
 (SCALE: .188)

(REF. ASS'Y.: 1101.00331.00)