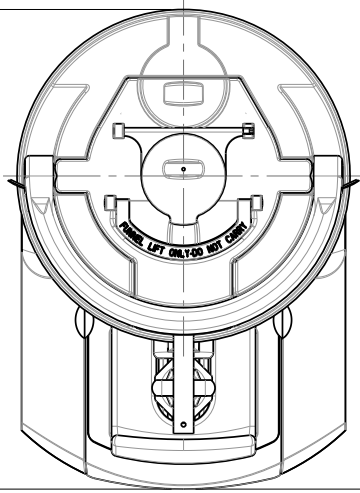
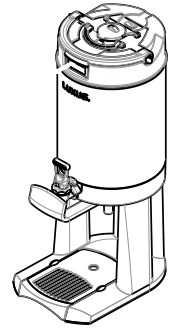


13.32 REF
[338,4]



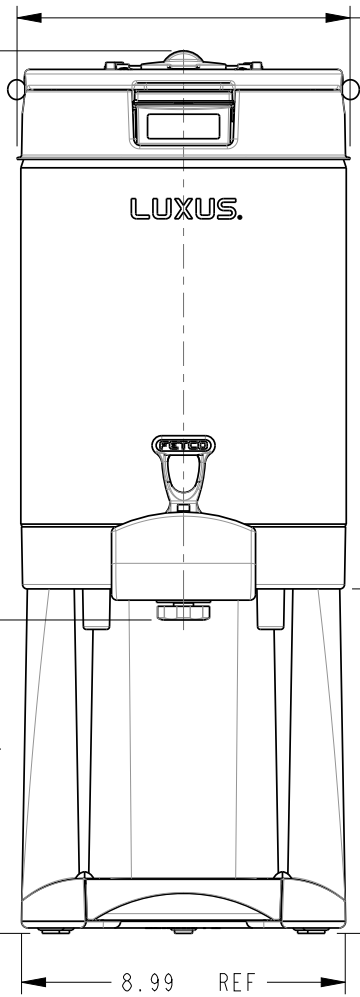
8.70 REF
[220,9]

NOTE:
DIMENSION IN PARETHESIS ARE METRIC



SCALE 0.063

24.52 REF
[622,7]



9.25 REF
[235]

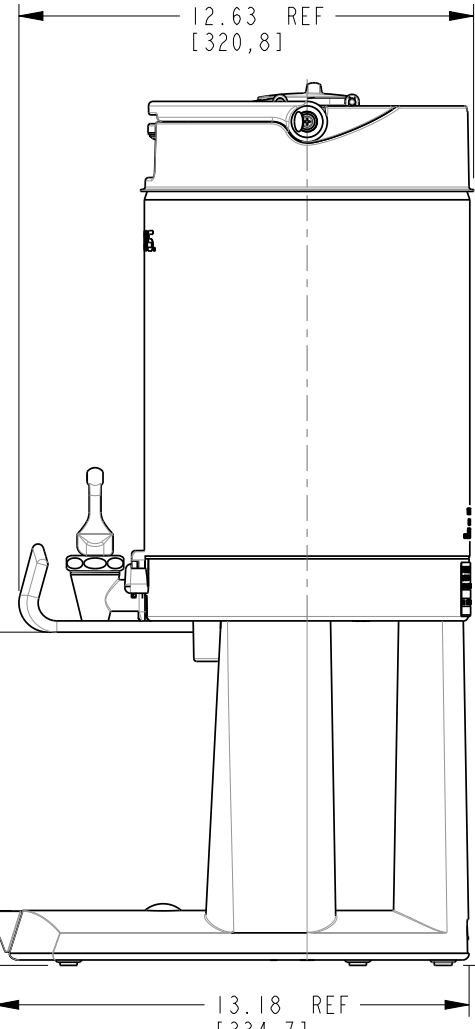
8.71 REF
[221,1]

9.57 REF
[243,1]

8.99 REF
[228,4]

ROUGH IN SPECIFICATION, L4D-20
FETCO P/N: 1201.00028.00
(SCALE: .188)

12.63 REF
[320,8]



23.87
[606,4]

7.73 REF
[196,4]

1.52 REF
[38,7]

13.18 REF
[334,7]

(REF. ASS'Y.: 1101.00330.00)