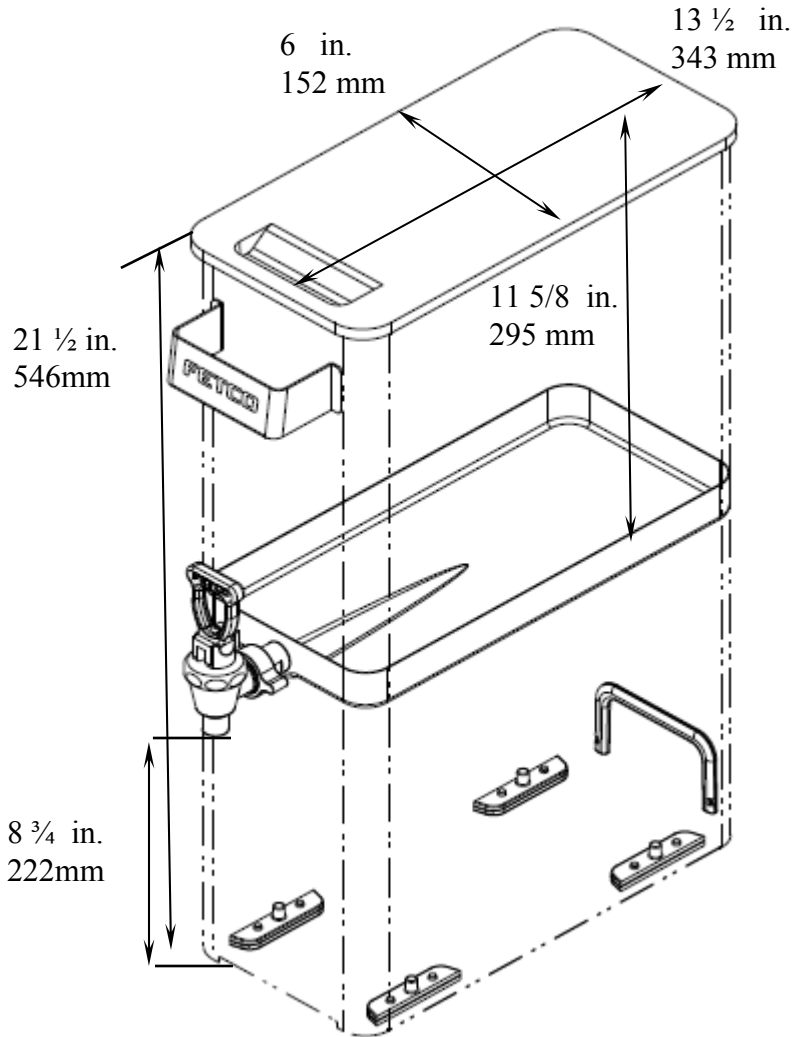


ITD-2135 Rough-in drawing



Nominal fill	3 gallons/ 14.4 liters
Fill to top rim	4 3/8 gallons/ 16.3 liters
Empty weight	9.0 lbs/ 4.1 kg
Nominal Fill weight	34 lbs/ 14.4 kg
Full to top rim weight	42 lbs/ 19.1 kg
Weights include dispenser lid	