

# 3.2 GALLON FROZEN GRANITA MACHINE

PEL0101-PEL0201-PEL0301



Serve up some delicious icy cold beverages to your customers with this sleek **FETCO by ELMECO Granita Machine**. This multipurpose cold beverage machine is perfect for granitas, slushies, frozen or iced coffee/tea, frozen margaritas, sorbet, frozen yogurt, lemonade and much more.



Single 3.2 Gallon  
Dispenser



Dual 3.2 Gallon  
Dispenser



Triple 3.2 Gallon  
Dispenser

The FETCO by ELMECO Frozen Granita Machine is the right choice for making self-serve slushies at a multi-unit convenience store chain or a chilled frozen cocktail in a back-of-house setting. It is ideally suited for attended serving stations in bars and cafes, as well as self-serve stations in family entertainment centers and convenience stores.

## Exclusive Features:

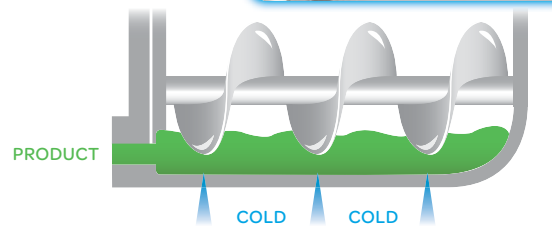
### Double auger design optimizes flavor and taste

The vertical and horizontal augers churn simultaneously to ensure a steady, homogenous product mixture.



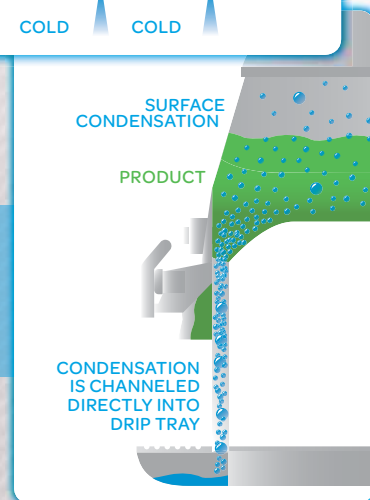
### The "Total Cold" system helps eliminate waste

The pan under the auger remains at the perfect temperature and keeps product cold no matter how much is left to serve.



### Condensation bypass system improves sanitary conditions

The sanitary system channels outer tank condensation directly into the drip pan so it can never touch the spout or drip into beverages.



### "Seal-less" drive system design for longer life and less maintenance

Seal-less drive shaft design eliminates preventive maintenance and mandatory seal replacements.



## Other Features:

- ▼ Control features include night mode, low level alert (CBE models only), temperature alert, and on-board diagnostics for easy troubleshooting
- ▼ Minimum liquid level: 1 gallon
- ▼ Each bowl cover has built-in LED lighting that draws attention and helps serving staff in dark venues
- ▼ 1-3 bowl configurations provide the flexibility to dispense multiple beverage types and/or flavors from one machine
- ▼ 'Plug and play' installation makes it easy to add a frozen beverage program to any menu



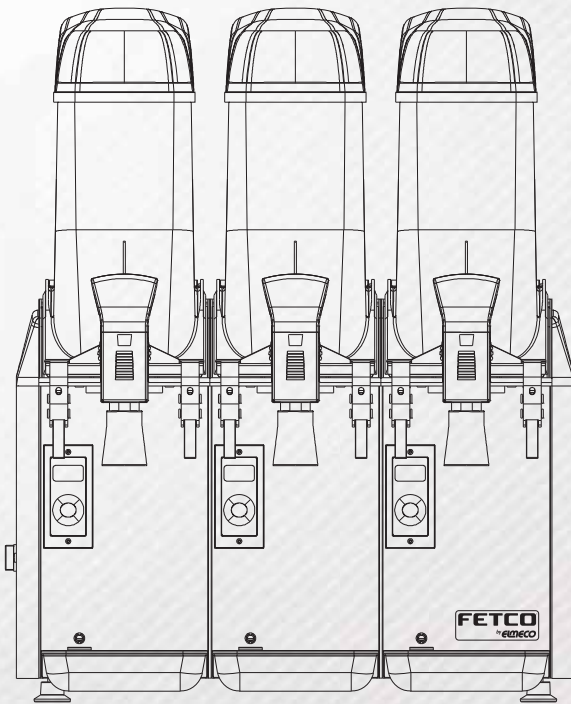
**PEL0101**  
Single 3.2 Gallon



**PEL0201**  
Twin 3.2 Gallon

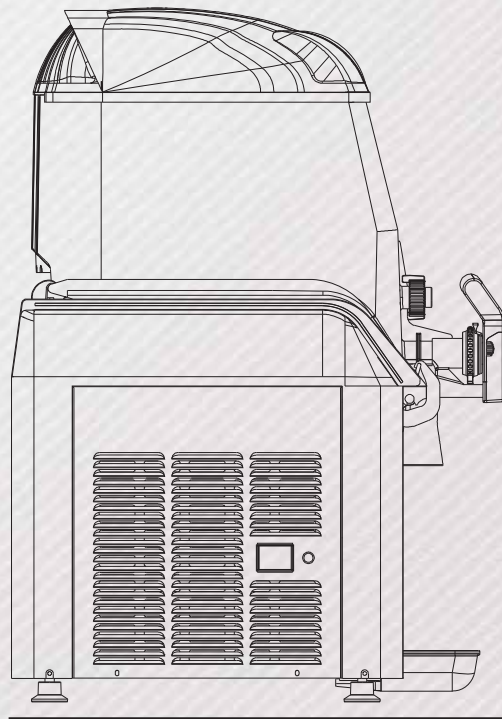


**PEL0301**  
Triple 3.2 Gallon



30-3/4"  
[78.1 cm]

Single — 9-1/2" [24.0 cm]  
 Double — 16-1/8" [41.0 cm]  
 Triple — 24-1/2" [62.2 cm]

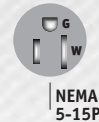


22"  
[55.9 cm]



### Electrical Configuration

Model	Frequency	Amps	Voltage	Phase	Wires	Watts	Compressor HP	Electrical Connection
PEL0101	60 Hz	11	115	1	2+G	1265	1/3 HP	NEMA 5-15P
PEL0201	60 Hz	12	115	1	2+G	1380	3/4 HP	NEMA 5-15P
PEL0301	60 Hz	12	115	1	2+G	1380	3/4 HP	NEMA 5-15P



### Measurements

Model	Width	Depth	Height	Capacity	Empty Weight	Filled Weight
PEL0101	9 1/2" [24.1 cm]	22" [55.9 cm]	30 3/4" [78.1 cm]	3.2 G [12.1 l]	68 lbs [31.2 kg]	95 lbs [43.1 kg]
PEL0201	16 1/8" [41.0 cm]	22" [55.9 cm]	30 3/4" [78.1 cm]	2 x 3.2 G [2 x 12.1 l]	114 lbs [51.7 kg]	141 lbs [51.7 kg]
PEL0301	24 1/2" [62.2 cm]	22" [55.9 cm]	30 3/4" [78.1 cm]	3 x 3.2 G [3 x 12.1 l]	141 lbs [63.9 kg]	168 lbs [76.2 kg]

### Shipping

Model	Weight	Dimensions
PEL0101	79 lbs [35.8 kg]	13" x 24" x 35" [33.0 x 70.0 x 88.9 cm]
PEL0201	135 lbs [61.2 kg]	20" x 24" x 35" [50.8 x 70.0 x 88.9 cm]
PEL0301	165 lbs [74.8 kg]	25" x 24" x 35" [63.5 x 70.0 x 88.9 cm]

# Features & Benefits



	Feature	Benefit
1	Multi-use Dispensers	From fruit smoothies and iced coffee to slushes and specialty cocktails, frozen beverages and chilled drinks are hot sellers from sunup to past sundown.
2	Sized for Your Business	Full range of capacities to suit your drink volume and maximize drink menu flexibility; dispense different beverages or flavors from one machine.
3	Fresh Mix	Horizontal and vertical augers churn simultaneously to ensure a fresh, homogenous beverage mixture.
4	Create or Expand a Drink Menu	Ideally suited for attended serving stations in bars and cafes; as well as self-serve stations in family entertainment centers and convenience stores.
5	Easy to Operate	Easy to program, use and maintain by all skill levels. Includes temperature and low-level indicators, night mode and diagnostics for troubleshooting.
6	Low Maintenance	Seal-less design eliminates the cost and down time of preventative seal maintenance.