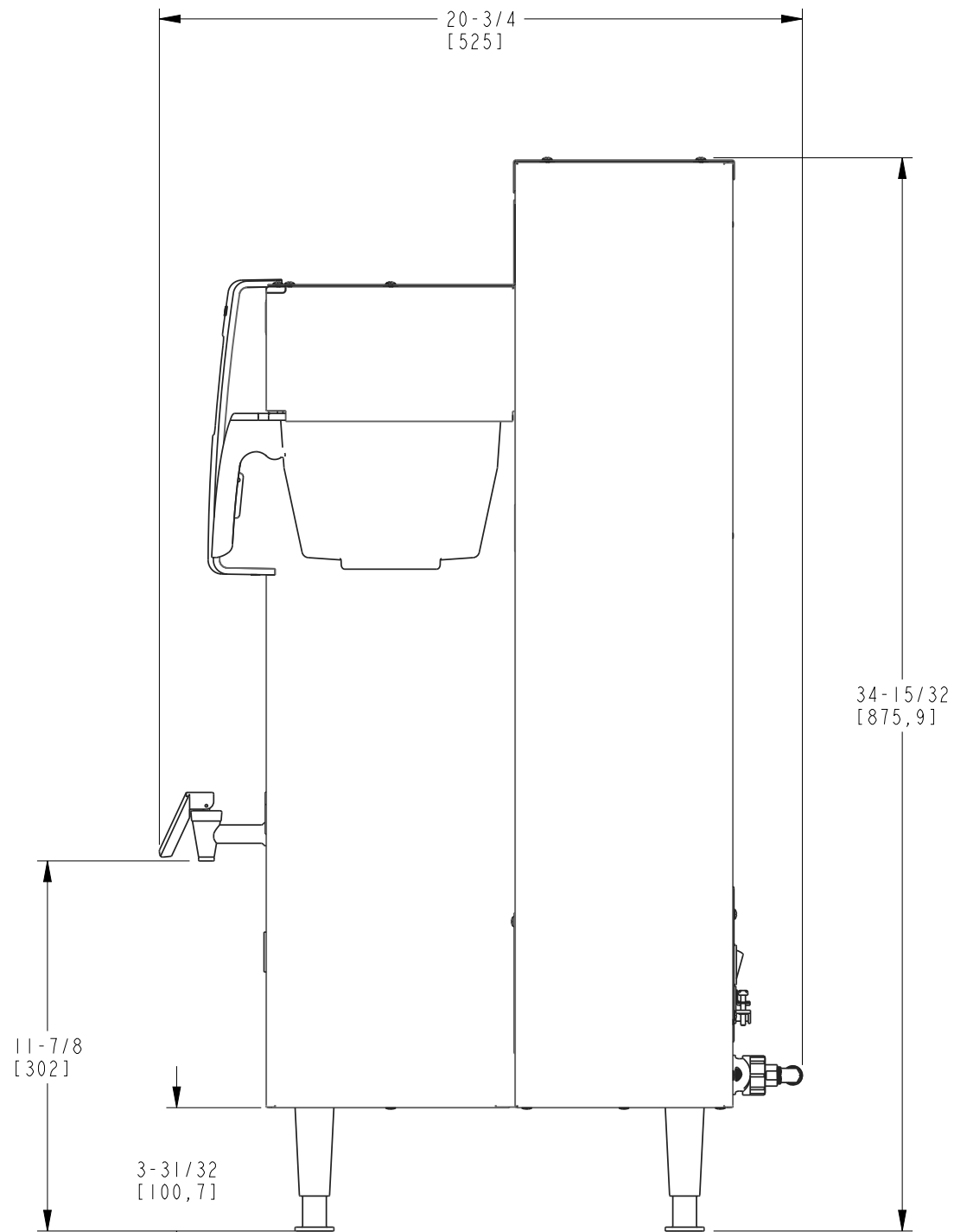
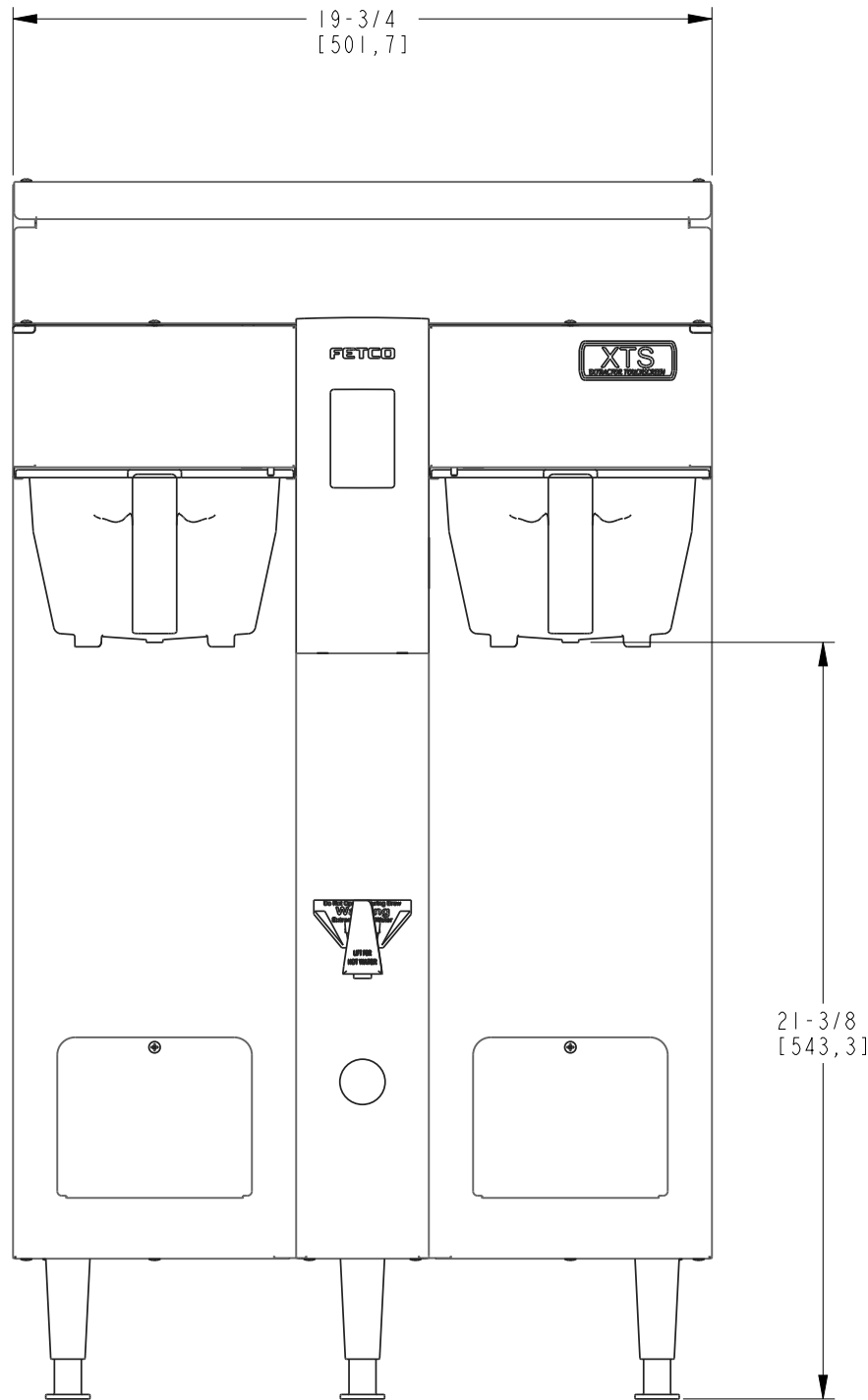
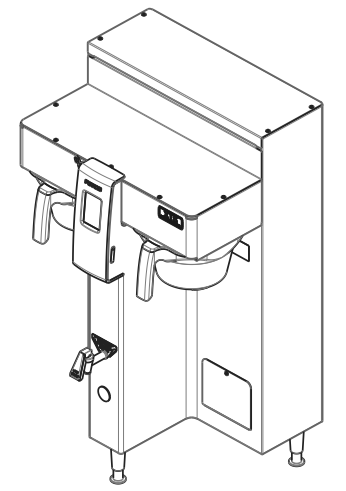


NOTE:
 1. DIMENSIONS IN PARENTHESIS ARE METRIC MILLIMETERS



CBS-2142 XTS
 (REF.: 1101.00193.00)

