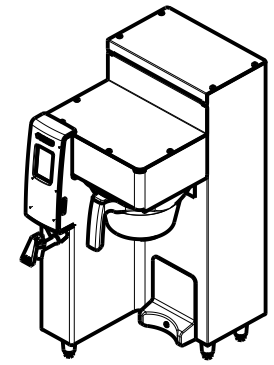
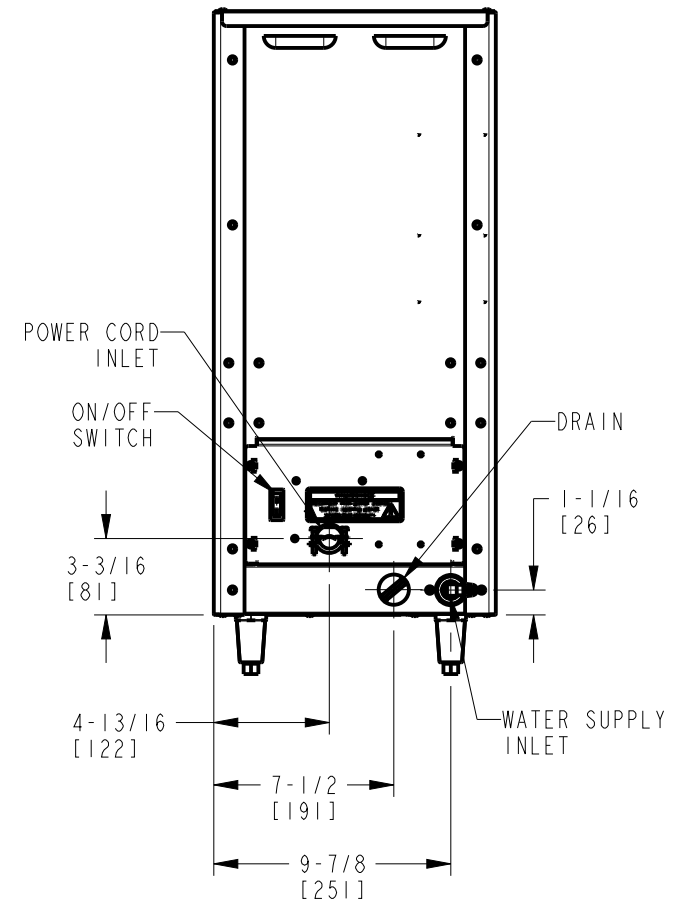
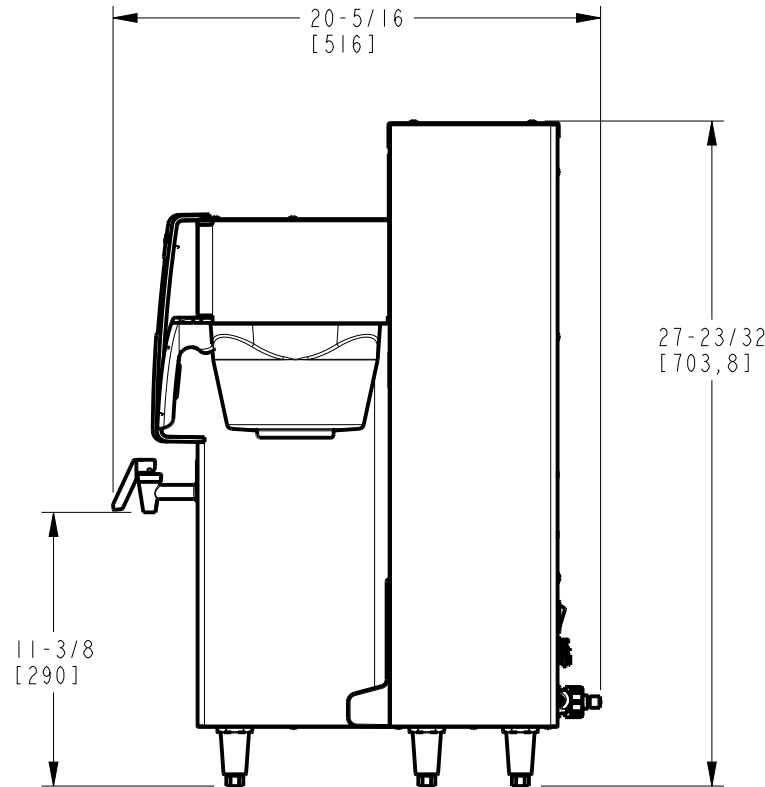
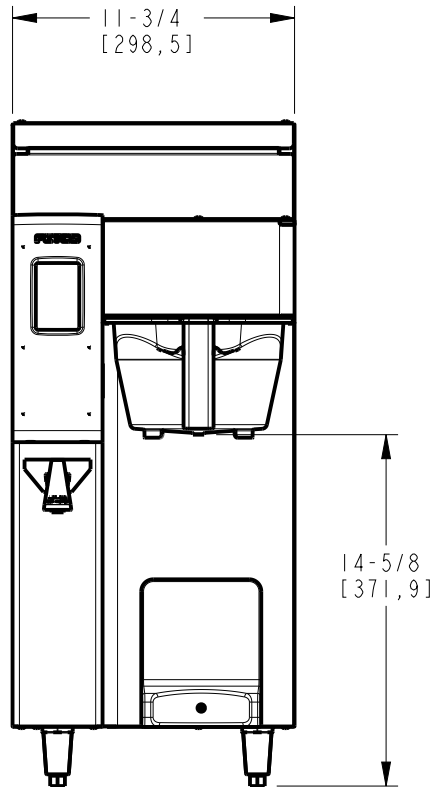


NOTE:

1. DIMENSIONS IN PARENTHESIS ARE METRIC MILLIMETERS



SCALE 0.063



PART NO. : 1201.00013.00  
SCALE: 0.125  
(REV.: B)