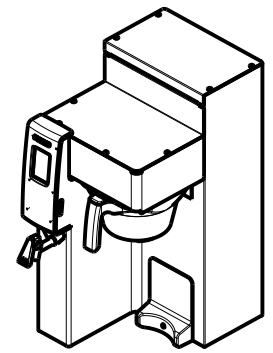
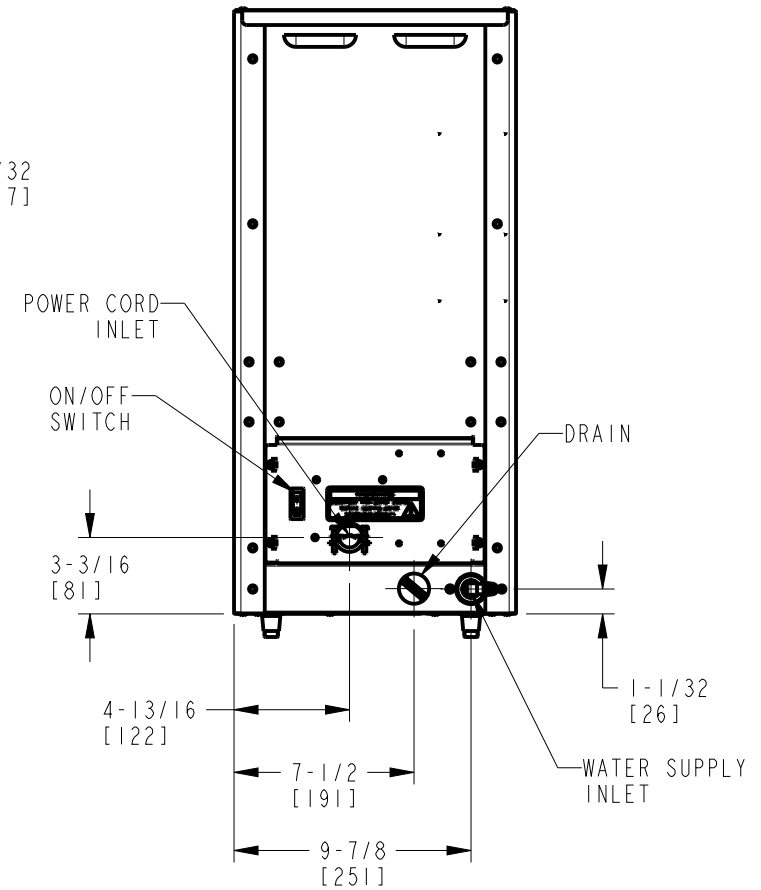
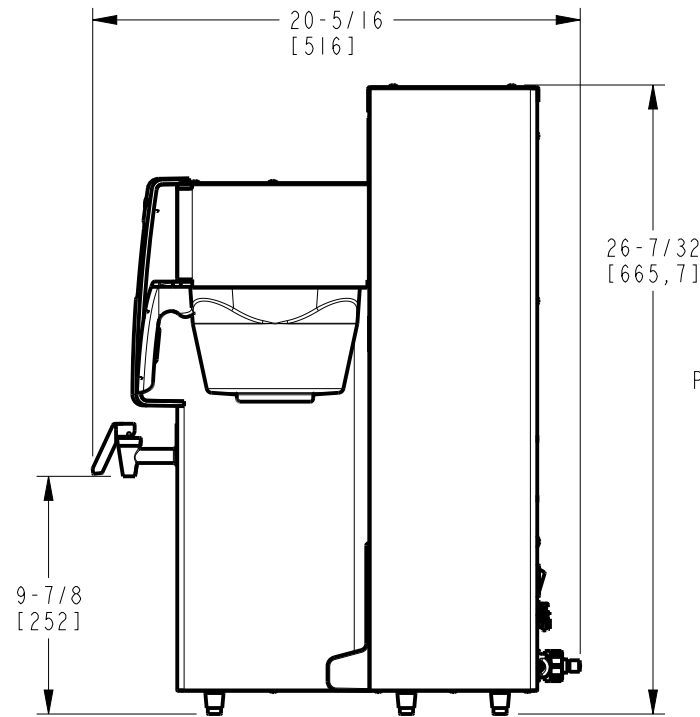
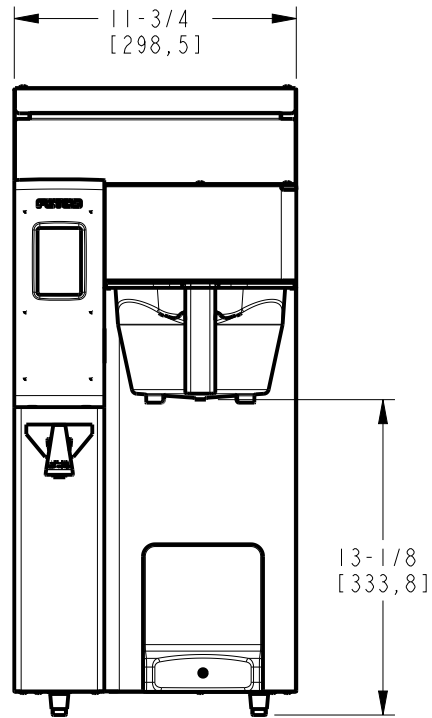


NOTE:

1. DIMENSION IN PARENTHESIS ARE METRIC MILLIMETERS



SCALE 0.063



PART NO.: 1201.00011.00  
SCALE: 0.125  
(REV.: B)