

0.5 Gallon

FOR THERMAL AND GLASS SERVERS

POUROVER COFFEE BREWERS

CBS-2121-P

0.5G Pourover Coffee Brewer
for thermal servers

Shown with #D055 (0.5G Stainless Steel Thermal Server). Sold separately.



CBS-2121-PW

0.5G Pourover Coffee Brewer
for glass servers

Shown with #D068 (0.5G Glass Server). Sold separately.

The **0.5G CBS-2121 Series Pourover Coffee Brewers** are the solution for small venue operators who need a way to offer guests, employees, or customers a fresh cup of coffee. The simple design allows for any staff level to make brewing a single pot of coffee quick and efficient for a busy behind-the-counter coffee service or a unique self-serve, guest experience. Elegant front-of-house looks and reliable performance make these cost-effective coffee brewers a great fit for your diner, office break room, coffee shop, or dining hall.



Self-Adjusting Warmers with Temperature Limiting Technology (CBS-2121-PW)

Resists overheating and maintains optimal serving temperature. Saves energy and helps preserve freshness (unlike some competitors' models that continuously heat).



Dedicated On/Off Switch

Lighted switch located on front panel for easy access and power control.



Ready LED Light

Bright green LED illuminates when ready to brew.

Simple Switch Interface

Dedicated switches with icons for top and bottom warmers.

FETCO[®]
TRUSTED | RELIABLE | QUALITY

Pourover Coffee Brewer

Technical Specifications

Water Specification

Calibration

Water Tank Capacity:
1.4 Gallon [5.2 liter]

Server / Dispenser:
64 fl. oz. [1.8 liter]

Coffee Dose (105g):
3.5-4.0 ounce throw [100-115g]

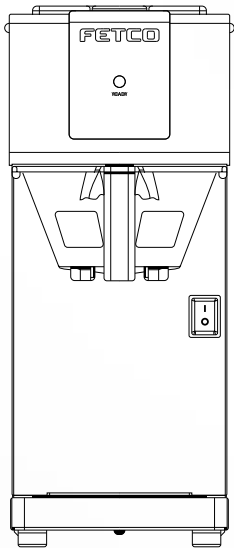
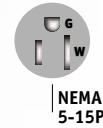
Brew Time:
Approx. 5 minutes with final drip out

Electrical Configuration

Configuration Code	Warmers	Voltage	Phase	Wires	KW	Electrical Connection	Max Amp Draw
US / CANADA							
C212101	—	120	1	2+G	1.4	NEMA 5-15P	11.1
C212111	2	120	1	2+G	1.6	NEMA 5-15P	13.3

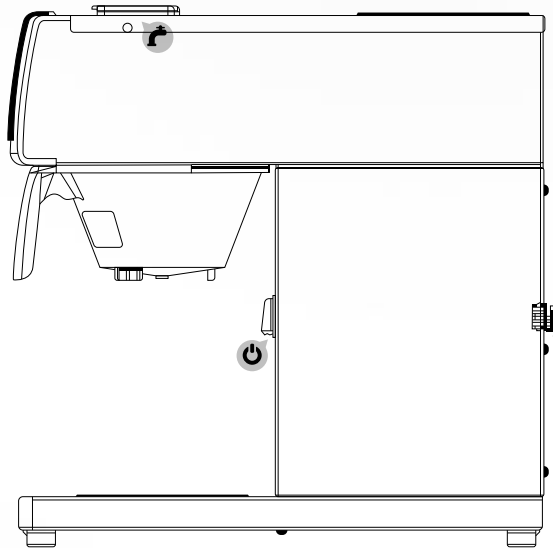
Measurements

Model	Height	Width	Depth	Empty Weight	Filled Weight
C212101 / C212111	19" [48.3 cm]	7 ⁵ / ₈ " [19.4 cm]	19" [47.0 cm]	17 lbs [7.7 kg]	28.4 lbs [12.9 kg]
Shipping					
C212101 / C212111	20 ³ / ₄ " [52.4 cm]	10 ³ / ₄ " [27.3 cm]	12 ¹ / ₄ " [54.0 cm]	23 lbs [10.4 kg]	—



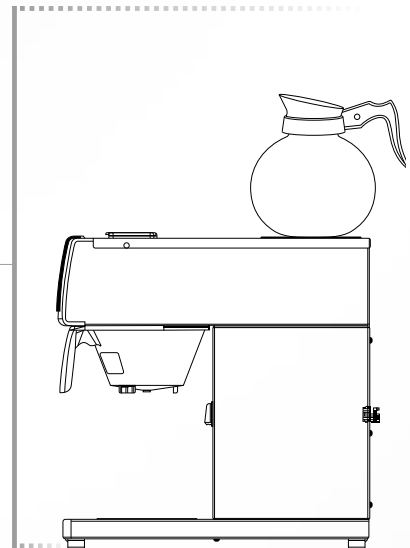
19"
[48.3 cm]

7-3/4"
[19.4 cm]



19"
[48.3 cm]

Recommended clearance
for proper operation of
Pourover Coffee Brewer
is 30" [77.0 cm] from top
of the counter.



Compatible Servers

#D055
0.5G Stainless Steel Thermal Server
for C212101 Pourover Coffee Brewer

Product Dimensions
(Height x Width x Depth):
7¹/₄" x 6³/₄" x 9¹/₄"
[18.4 x 17.1 x 23.5 cm]

Weight (Empty / Filled)
1.9 lbs [0.9 kg] /
6.1 lbs [2.8 kg]



#D068
0.5G Glass Server
Black Handle / Regular
for C212111 Pourover Coffee Brewer

Product Dimensions
(Height x Width x Depth):
6⁴/₅" x 6³/₈" x 9"
[17.2 x 16.1 x 22.8 cm]

Weight (Empty / Filled)
0.8 lbs [0.4 kg] /
3.9 lbs [1.7 kg]



#D069
0.5G Glass Server
Orange Handle / Decaf
for C212111 Pourover Coffee Brewer

Paper Filter

#F003
9³/₄" x 4¹/₂"
Standard Paper
Coffee Filter



Information

📍 fetco.com
✉ info@fetco.com

☎ 847.719.3000
1.800.338.2699 USA
📠 847.719.3001

🏠 Food Equipment Technologies Co.
600 Rose Road
Lake Zurich, IL 60047
USA