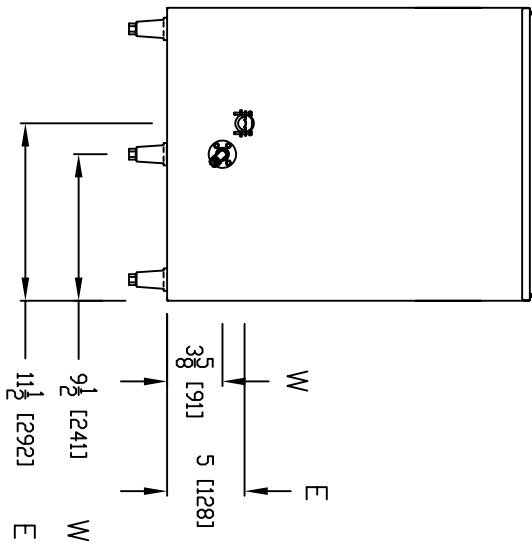
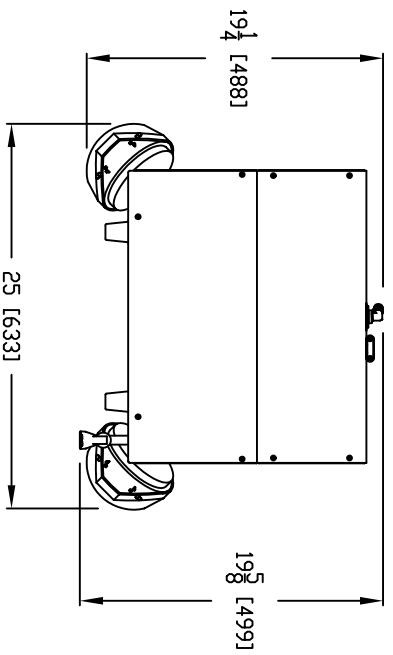


ELECTRIC INPUT AND WATER CONNECTION
FROM REAR

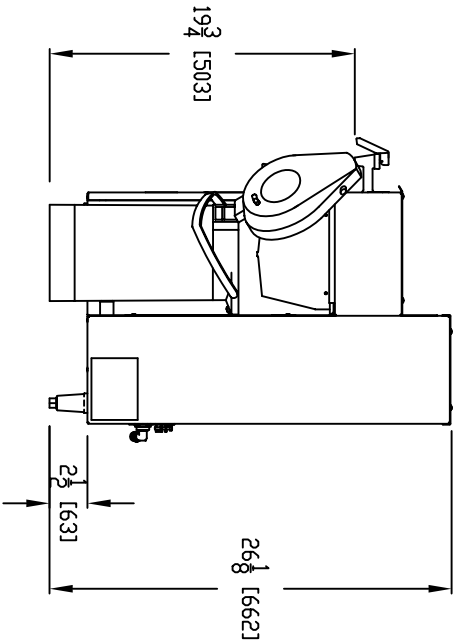
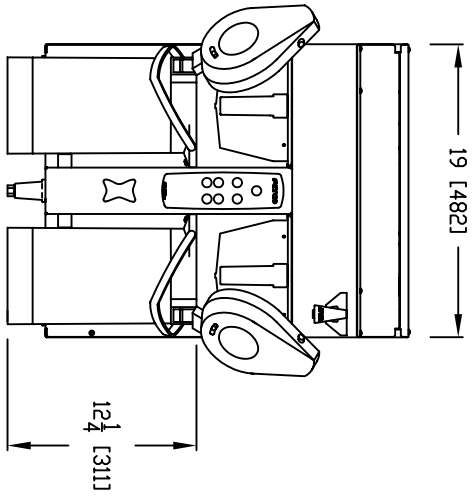
WATER INLET:
FITTING, 90 DEG. MALE ELBOW,
3/8" TUBE OD X 3/8" MPT

TOTAL WEIGHT
EMPTY, WITHOUT DISPENSER
XX lbs.

BACK VIEW



W - WATER
E - ELECTRIC



DIMENSIONS IN
PARENTHESES ARE
METRIC