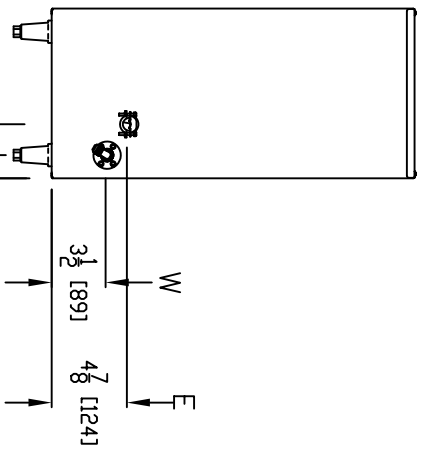
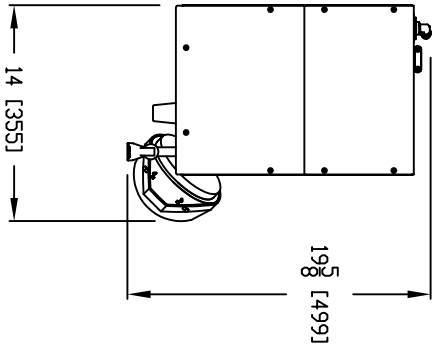


ELECTRIC INPUT AND WATER CONNECTION
FROM REAR

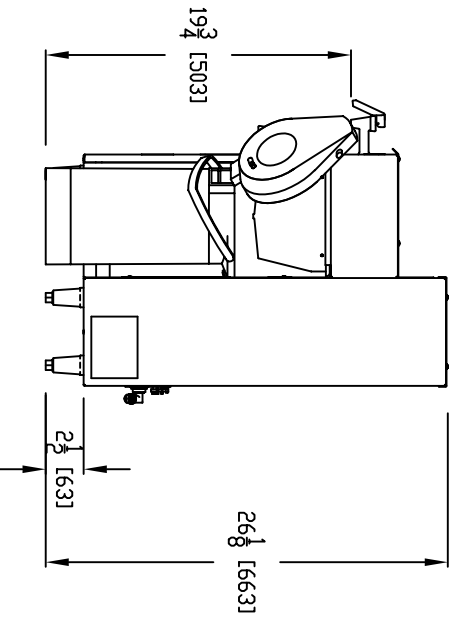
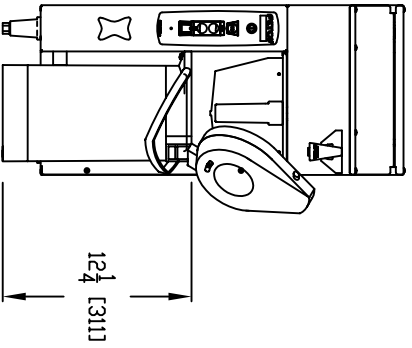
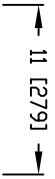
WATER INLET:
FITTING, 90 DEG. MALE ELBOW,
3/8" TUBE OD X 3/8" MPT

TOTAL WEIGHT
EMPTY, WITHOUT DISPENSER
XX lbs.

BACK VIEW



W - WATER
E - ELECTRIC



DIMENSIONS IN
PARENTHESIS ARE
METRIC

FETCD

600 ROSE ROAD, LAKE ZURICH, IL. 60047, TEL: (800) FETCD-99 , 1-(847)-719-3000

MODEL:
CBS-2031ee WITH 3.0L AIR POT

ROUGH IN SPECIFICATION

DRV. NO.

201141-000

SCALE:

1 : 13